



- **Mechanical Pushbutton**
- **Single Access Code**
- **Exit Trim**
- **Lever**

Features

Access Control:	Mechanical pushbutton lock eliminates problems and costs associated with issuing, controlling, and collecting keys and cards. Provides exterior access by combination, while allowing free egress with Exit Device (not supplied).														
No Battery:	Fully mechanical lock eliminates the material and labor expense of battery replacements														
Locking Device Options:	<u>Rim Exit Device:</u> Compatible with most leading brands of Exit Devices—see list below (Exit Device and mounting hardware not included)														
Exit Device Compatibility:	<p>For the most accurate listing of compatible Exit Devices, see this page on our website</p> <table border="0"> <tr> <td>Black & Decker (K-12) QED111/112</td> <td>Monarch XX-R*, FXX-R, 18-R*,</td> </tr> <tr> <td>Cal Royal 5000/F5000</td> <td>F-18-R*, 17-R, F-17-R, XX-V*, F-XX-V*,</td> </tr> <tr> <td>Detex Advantex Series 10, 20, 21,40, 50, 51</td> <td>18-V*, F-18-V*, F-XX-V*, 11-R*, 11-V*</td> </tr> <tr> <td>Detex 10/F10 Series</td> <td>Von Duprin 22, 88 NL, 98, 99, 900, 2227,</td> </tr> <tr> <td>Dorex 8500R/8500F</td> <td>9827, 9847, 9847 WDC, 9848, 9857, 9927,</td> </tr> <tr> <td>Dorex 9500PR/9500FR</td> <td>9947, 9947, WDC, 9948, 9957, 90027, 90047</td> </tr> <tr> <td>Dorma 9100, 9300</td> <td>WDC, 90057</td> </tr> </table> <p>*(requires special K-Hub Adapter Kit)</p> <p>• Cannot be used with mortise design or vertical rod Exit Devices ATTENTION: Compatibility is subject to change if modifications are made by Exit Device manufacturers without Kaba's knowledge</p>	Black & Decker (K-12) QED111/112	Monarch XX-R*, FXX-R, 18-R*,	Cal Royal 5000/F5000	F-18-R*, 17-R, F-17-R, XX-V*, F-XX-V*,	Detex Advantex Series 10, 20, 21,40, 50, 51	18-V*, F-18-V*, F-XX-V*, 11-R*, 11-V*	Detex 10/F10 Series	Von Duprin 22, 88 NL, 98, 99, 900, 2227,	Dorex 8500R/8500F	9827, 9847, 9847 WDC, 9848, 9857, 9927,	Dorex 9500PR/9500FR	9947, 9947, WDC, 9948, 9957, 90027, 90047	Dorma 9100, 9300	WDC, 90057
Black & Decker (K-12) QED111/112	Monarch XX-R*, FXX-R, 18-R*,														
Cal Royal 5000/F5000	F-18-R*, 17-R, F-17-R, XX-V*, F-XX-V*,														
Detex Advantex Series 10, 20, 21,40, 50, 51	18-V*, F-18-V*, F-XX-V*, 11-R*, 11-V*														
Detex 10/F10 Series	Von Duprin 22, 88 NL, 98, 99, 900, 2227,														
Dorex 8500R/8500F	9827, 9847, 9847 WDC, 9848, 9857, 9927,														
Dorex 9500PR/9500FR	9947, 9947, WDC, 9948, 9957, 90027, 90047														
Dorma 9100, 9300	WDC, 90057														
Number of Codes:	Single access code—one easy-to-manage code for all users														
Handing:	Factory-handed; not field reversible														
Key Override (Optional):	Small format interchangeable cores, large format removable cores														
Operation Modes:	<u>Pushbutton Access</u> Exit Device may be "dogged" without affecting the LP1000														
Economical:	A cost effective access control solution														

Mechanical Features

Construction:	Heavy-duty cast front housing; heavy-duty mounting plate; fixed ADA-compliant lever
Numeric Keypad:	Vandal resistant, solid metal pushbuttons
Handing:	Factory-handed; not field reversible
Standard Finishes:	Antique Brass 05 (609), Satin Chrome 26D (626)
Optional Finishes:	Bright Chrome 026 (625), Bright Brass 03 (605)

Mechanical Features (continued)

Exit Device:	Not supplied (see list for compatibility on prior page)
Exit Device Strike:	Supplied with Exit Device
Exit Device Hub Rotation:	Up to 60°, counterclockwise for left hand and clockwise for right hand
Tailpiece:	2¾" (70 mm) tailpiece for Exit Device operation from outside Optional 5" (125 mm) tailpiece for freezer doors (sold separately, part # 74773-000-01)
Minimum Stile Recommended:	5" (127 mm)
Weight:	8 lbs. (3.6 kg)

Key Override

Interchangeable Cores:	Small format—Best and equivalents (6 or 7-pin length); core not included
Removable Cores:	Large format—Medeco/ASSA/Yale/Abloy (5 or 6-pin length), Corbin Russwin, Schlage, and Sargent; core not included

Installation

Door Preparation:	Recessed through bolts may be required for Exit Device preparation
Door Thickness:	1⅝" (35 mm) to 2¼" (57 mm) Optional 5" (127 mm) tailpiece (sold separately, part # 74773-000-01)
Items Supplied Include:	Installation manual, full-scale template, combination change tool, and required lock installation hardware only

Certification and Testing

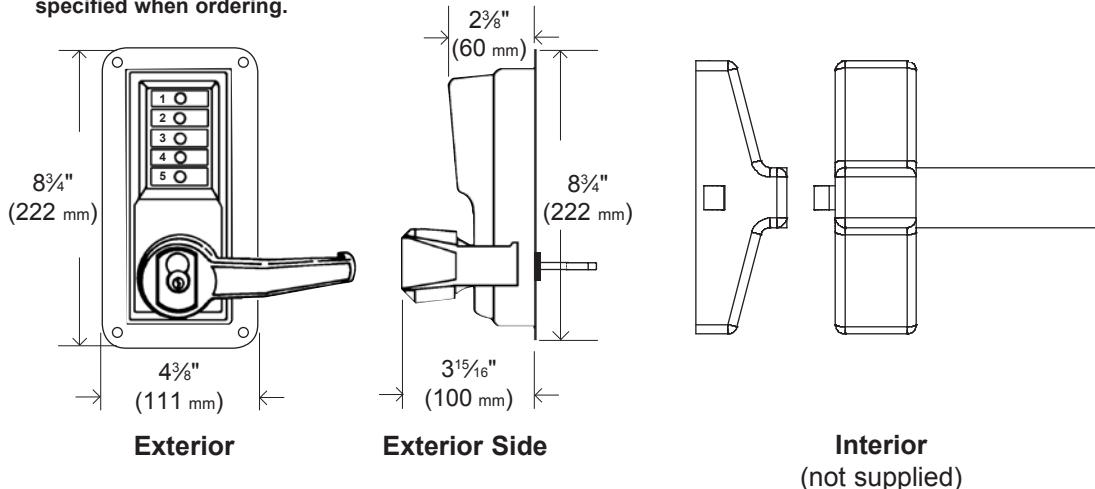
Accessibility Standard:	Americans with Disabilities Act (ADA); fixed ADA-compliant lever
Durability:	Weather resistant
Fire Rating:	3-hour UL/ULC fire rating for "A" labeled doors

Warranty

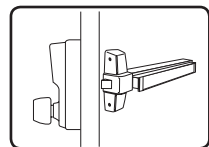
Warranty:	3-year warranty
------------------	-----------------

Exit Trim

Door handing must be specified when ordering.

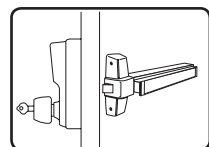


LP1010



- Combination Entry
- Egress with Exit Device (not supplied)
- Exterior Combination Change (only)

LP1020



- Combination Entry
- Egress with Exit Device (not supplied)
- Key Override (not supplied)
- Exterior Combination Change (only)