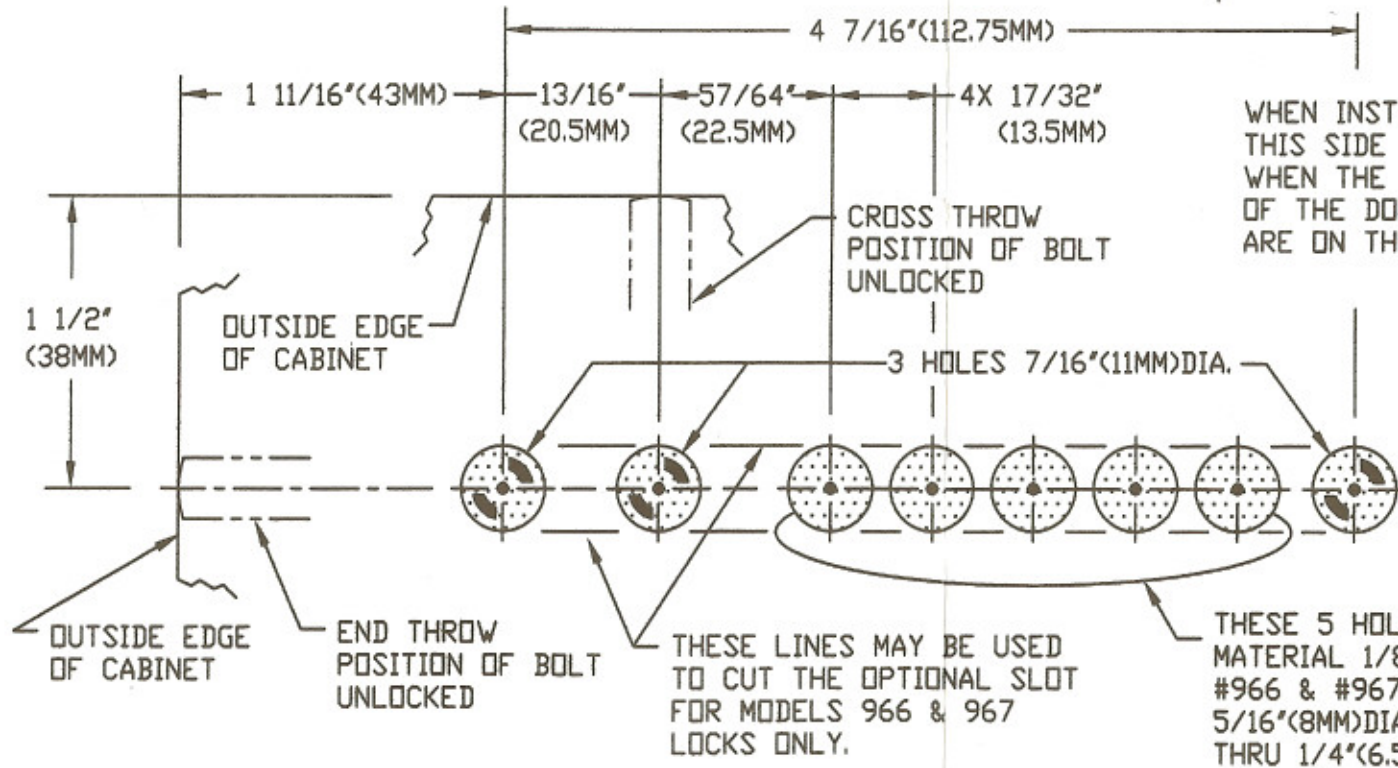
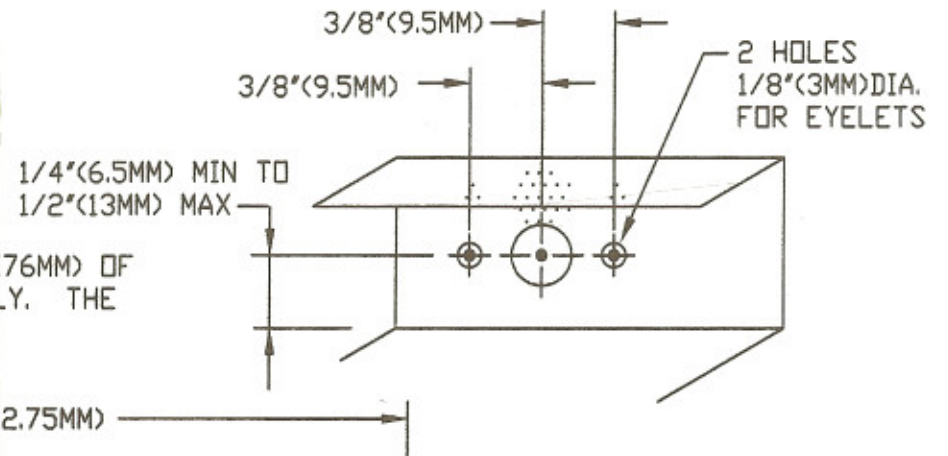


REFERENCE ONLY, NOT TO SCALE
 DO NOT USE AS A DRILLING TEMPLATE
 CALL 800-849-8324

TEMPLATE #1 FOR INSTALLATION OF
 CROSS or END THROW MODELS 966.
 (SHEET METAL MOUNT DEAD BOLT)

WE SUGGEST THAT THE END THROW LOCK BE PLACED WITHIN 3"(76MM) OF THE UNHINGED SIDE OF THE DOOR WHEN MOUNTING IT VERTICALLY. THE TEMPLATE IS SHOWN FOR HORIZONTAL MOUNTING OF THE LOCK.



WHEN INSTALLING A CROSS THROW LOCK THIS SIDE OF THE TEMPLATE SHOULD BE UP WHEN THE HINGES ARE ON THE RIGHT SIDE OF THE DOOR AND DOWN WHEN THE HINGES ARE ON THE LEFT SIDE OF THE DOOR.

THESE 5 HOLES TO BE 7/16"(11MM) DIA. FOR MATERIAL 1/8"(3MM) THICK OR LESS (MODEL #966 & #967). THE HOLES MUST BE 5/16"(8MM) DIA. FOR MATERIAL FROM 3/16"(5MM) THRU 1/4"(6.5MM) THICK (MODEL #968 & #969).

