



- **Mechanical Pushbutton Lock**
- **Single Access Code**
- **Mortise**
- **Lever**

Features

Access Control:	Mechanical pushbutton lock eliminates problems and costs associated with issuing, controlling, and collecting keys and cards. Provides exterior access by combination, while allowing free egress.
No Battery:	Fully mechanical lock eliminates the material and labor expense of battery replacements
Locking Device Options:	Mortise with 1" (25 mm) deadbolt, 3/4" (19 mm) two-piece anti-friction latch Mortise with 3/4" (19 mm) two-piece anti-friction latch
Number of Codes:	Single access code—one easy-to-manage code for all users
Programming:	Lock is easily programmed via keypad without removing lock from the door
Handing:	Factory-handed; not field reversible
Key Override (Optional):	Small format interchangeable cores, large format removable cores
Operation Modes:	<u>Pushbutton Access</u> <u>Passage</u> (select models)—allows access without using the lock entry code. Feature activated from the inside with a thumbturn or key (included with all passage feature models). <u>Deadbolt</u> (select models)—added security of 1" deadbolt. Access permitted by combination or key override. <u>Lockout</u> (all models)—disables the lock from the inside so that the entry codes cannot be used to gain access. Access is permitted using key override.
Economical:	A cost effective access control solution

Mechanical Features

Construction:	Cast front housing; unified trim plate; fixed ADA—compliant levers
Numeric Keypad:	Vandal resistant, solid metal pushbuttons
Handing:	Factory-handed; not field reversible
Standard Finishes:	Antique Brass 05 (609), Satin Chrome 26D (626)
Optional Finishes:	Bright Chrome 026 (625), Bright Brass 03 (605)
Backset:	2 3/4" (70 mm)
Latch:	3/4" (19 mm) two-piece anti-friction latch; 1" (25 mm) optional deadbolt
Minimum Stile Recommended:	5" (127 mm)
Weight:	9.8 lbs. (3.7 kg)
Strike:	4 7/8" (124 mm) L x 1 1/4" (32 mm) W x 1/4" (6 mm) D Deadbolt/Latch mortise strike plate

Key Override

Interchangeable Cores: Small format—Best and equivalents (6 or 7-pin length); core not included

Removable Cores: Large format—Medeco/ASSA/Yale/Abloy (5 or 6-pin length), Corbin Russwin (6-pin length), Schlage, and Sargent; core not included

Installation

Door Preparation: Easily installs on wood or metal doors. Standard (86) mortise preparation

Door Thickness: 1³/₄" (44 mm) to 2¹/₄" (57 mm)

Items Supplied Include: Lock assembly, installation manual, full-scale template, combination change tool, and required installation hardware

Certification and Testing

Accessibility Standard: Americans with Disabilities Act (ADA); fixed ADA-compliant levers

Durability: Weather resistant

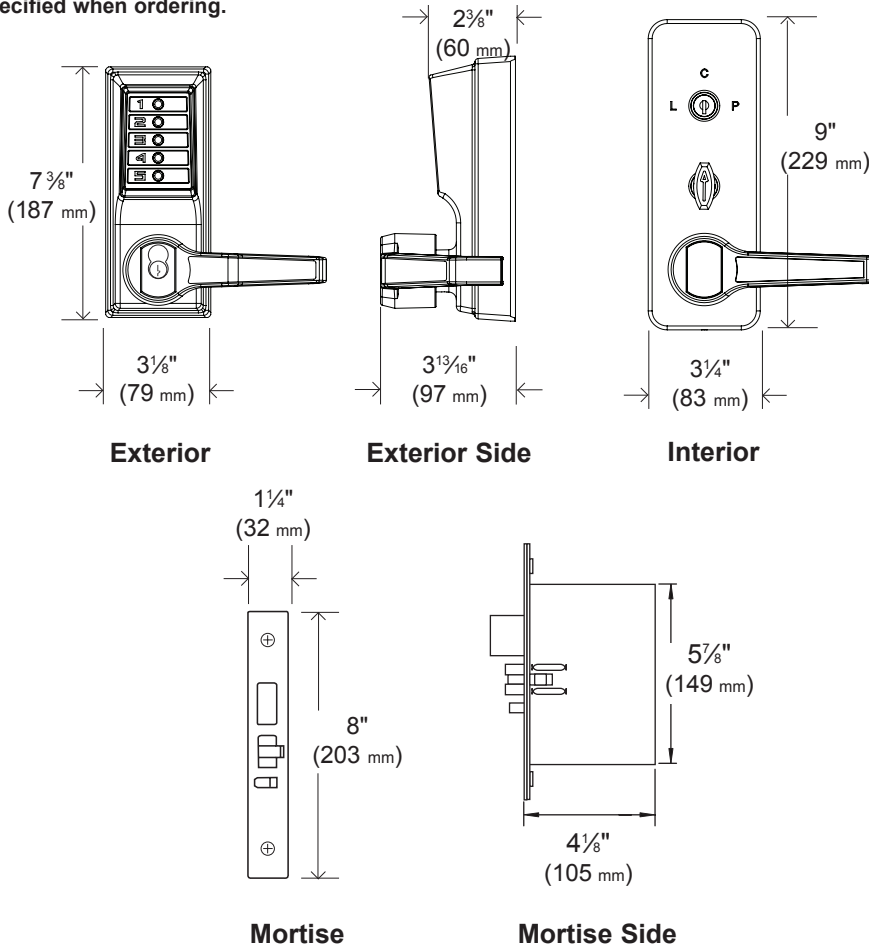
Fire Rating: 3-hour UL/ULC fire rating for "A" labeled doors

Warranty

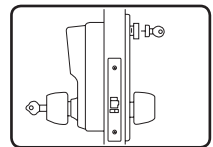
Warranty: 3-year warranty

Mortise

Door handing must be specified when ordering.

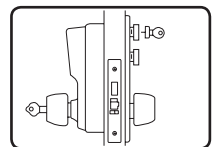


Model 8146



- Combination Entry
- Key Override (not supplied)
- Passage
- Lockout

Model 8148



- Combination Entry
- Key Override (not supplied)
- Passage
- Lockout
- Deadbolt



Example

L R
 8 1 4
 6
 B - 2 6 D - 4 1

 8 1 4

 -

 -
 4 1

Handing Model Function Key Override - Finish - Packaging

Build the model number with the desired options

Base Model	Description	Base Price
LR8146B26D41	Mortise Lock with Lever, Key Override, Passage, Lockout	\$694.50

Choose One Option from Each Category

Handing Options	Description	Price
L	Left Hand	No Charge
LR	Left Hand Reverse	No Charge
R	Right Hand	No Charge
RR	Right Hand Reverse	No Charge

Function Options	Description	Price
6	Combination Entry, Key Override, Passage, Lockout	No Charge
8	Combination Entry, Key Override, Passage, Lockout, Deadbolt	Add \$30.00

Key Override Options	Description	Price
B	I/C Best and Equivalents (6 or 7-pin length); core not included	No Charge
C	R/C Corbin Russwin (6-pin length); core not included	No Charge
M ⁺	R/C Medeco/ASSA/Yale/Abloy (5 or 6-pin length); core not included	No Charge
R	R/C Sargent; core not included	No Charge
S	R/C Schlage; core not included	No Charge

Finish Options	Description	Price
026	Bright Chrome (625)	Add \$25.00
03	Bright Brass (605)	Add \$25.00
05	Antique Brass (609)	No Charge
26D	Satin Chrome (626)	No Charge

Items Supplied with the Lock

- Installation Manual
- Full-Scale Template
- Required Installation Hardware

Notes

***Medeco/ASSA/Yale/Abloy (5 and 6-pin length)**

5 and 6-pin Medeco/ASSA/Abloy cylinders require a special knob spacer (included in package)