

- **Mechanical Pushbutton Lock**
- **Single Access Code**
- **Cylindrical**
- **Thumbturn**

Features

Access Control:	Mechanical pushbutton lock eliminates problems and costs associated with issuing, controlling, and collecting keys and cards. Provides fully mechanical exterior access by combination, while allowing free egress at all times by interior knob.
No Battery:	Fully mechanical lock eliminates the material and labor expense of battery replacements
Locking Device:	Cylindrical latch with 3-hour UL/ULC fire rating for "A" labeled doors
Number of Codes:	Single access code—one easy-to-manage code for all users
Programming:	Lock is easily programmed via keypad without removing lock from the door
Handing:	Factory-handed left; easily field reversible
Operation Mode:	Pushbutton access
Economical:	A cost effective access control solution

Mechanical Features

Construction:	All metal cast front housing, force-resistant, clutch-protected exterior thumbturn, unified interior trim plate, fixed interior knob
Numeric Keypad:	Vandal resistant, solid metal pushbuttons
Handing:	Factory-handed left; easily field reversible
Finishes:	Hard, durable powder paint finishes: Gold Tone (060), Almond (067), Black (085), and Gray (086) (Gold and Almond inside trim/plated Bright Brass) (Black and Gray inside trim/plated Satin Chrome)
Latch:	½" (13 mm) throw latch, floating faceplate (UL listed)
Backset:	2¾" (70 mm) or 2⅝" (60 mm) backset
Minimum Stile Recommended:	5" (127 mm)
Weight:	4.5 lbs. (2 kg)
Strike:	Standard strike plate

Installation

Installation:	ASA 161 door preparation with two additional through bore holes. Lock can be inverted if the existing auxiliary lock obstructs installation.
Door Thickness:	1⅝" (35 mm) to 2¼" (57 mm); wood or metal
Items Supplied Include:	Installation manual, full-scale template, combination change tool, and required installation hardware

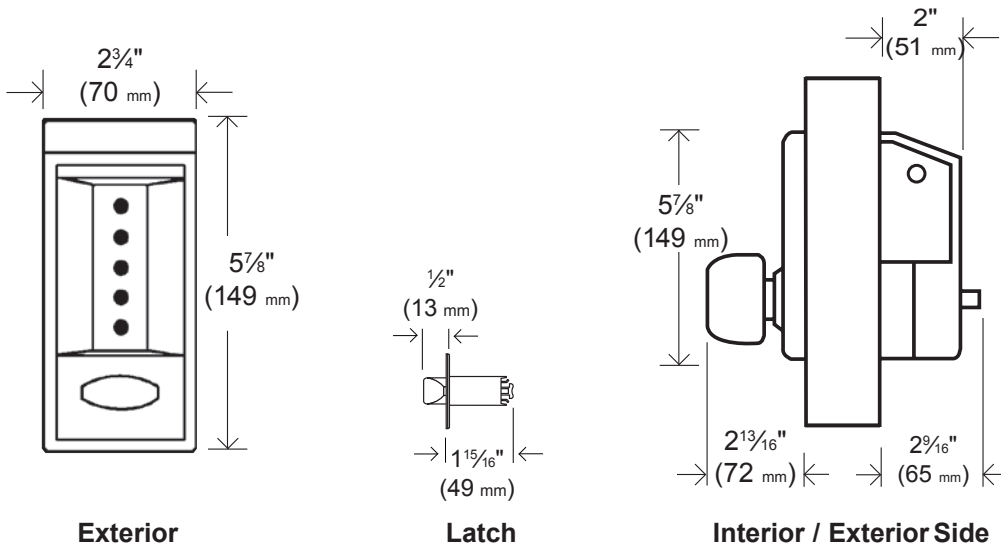
Certification and Testing

Fire Rating:	3-hour UL/ULC fire rating for "A" labeled doors
Durability:	Weather resistant

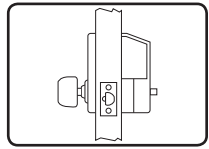
Warranty

Warranty:	1-year warranty
------------------	-----------------

Cylindrical

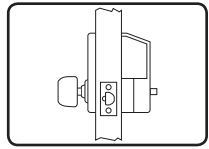


Model 6202

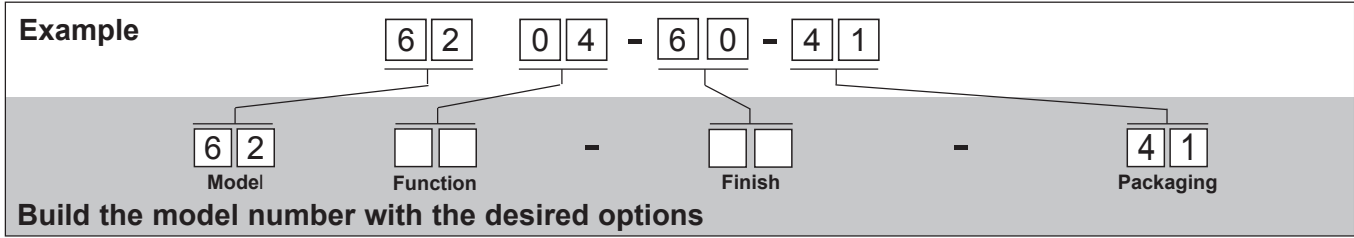


- Combination Entry
- UL Listed Latch
- 1/2" (13 mm) Throw Floating Face Plate
- Backset 2 3/8" (60 mm)
- Primary Lock

Model 6204



- Combination Entry
- UL Listed Latch
- 1/2" (13 mm) Throw Floating Face Plate
- Backset 2 3/4" (70 mm)
- Primary Lock



Base Model	Description	Base Price
62046041	Cylindrical Lock with Exterior Thumbturn, Internal Knob, 2¾" (70 mm) Backset	\$222.50

Choose One Option from Each Category

Function Options	Description	Price
02	Cylindrical ½" (13 mm) throw latch, floating face plate, 2¾" (60 mm) backset (UL listed)	No Charge
04	Cylindrical ½" (13 mm) throw latch, floating face plate, 2¾" (70 mm) backset (UL listed)	No Charge

Finish Options	Description	Price
60	Gold Tone—Powder Paint (060) (inside trim/plated Bright Brass)	No Charge
67	Almond—Powder Paint (067) (inside trim/plated Bright Brass)	No Charge
85	Black—Powder Paint (083) (inside trim/plated Satin Chrome)	No Charge
86	Gray—Powder Paint (086) (inside trim/plated Satin Chrome)	No Charge

Items Supplied with the Lock

- Installation Manual
- Full-Scale Template
- Required Installation Hardware