

LEFT HAND DOOR
 Handing: Look at the door from exterior side. Use the corresponding diagram below to determine the handing of your door.

Left Hand Left Hand Reverse

RIGHT HAND DOOR
 Handing: Look at the door from exterior side. Use the corresponding diagram below to determine the handing of your door.

Right Hand Right Hand Reverse

Be sure the fold is exactly on the edge of door (high beveled edge).

Be sure the fold is exactly on the edge of door (high beveled edge).

Mark centerline of door thickness for 1" [25mm] DIA latch hole.

5/32 .157 [4mm]

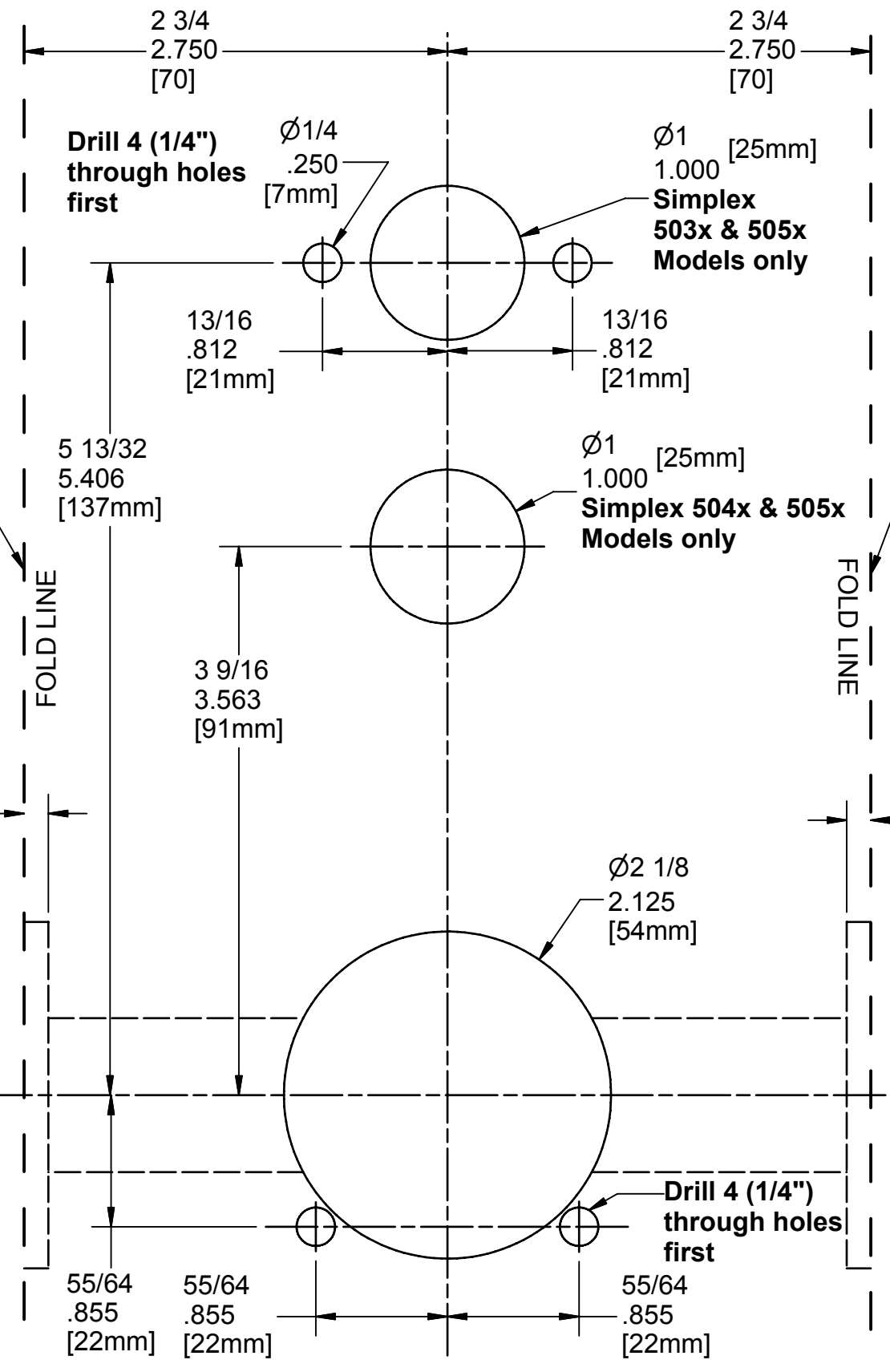
- 1 3/8" [35mm]
- 1 1/2" [38mm]
- 1 3/4" [44mm]
- 2" [51mm]
- 2 1/4" [57mm]

Mark centerline of door thickness for 1" [25mm] DIA latch hole.

5/32 .157 [4mm]

- 1 3/8" [35mm]
- 1 1/2" [38mm]
- 1 3/4" [44mm]
- 2" [51mm]
- 2 1/4" [57mm]

SIMPLEX® Mechanical Pushbutton Lock
5000



KABA®
 2941 Indiana Ave Winston-Salem, NC 27105 USA
 Tel: (800) 849-8324 (336) 725-1331
 Fax: (800) 346-9640 (336) 725-3269