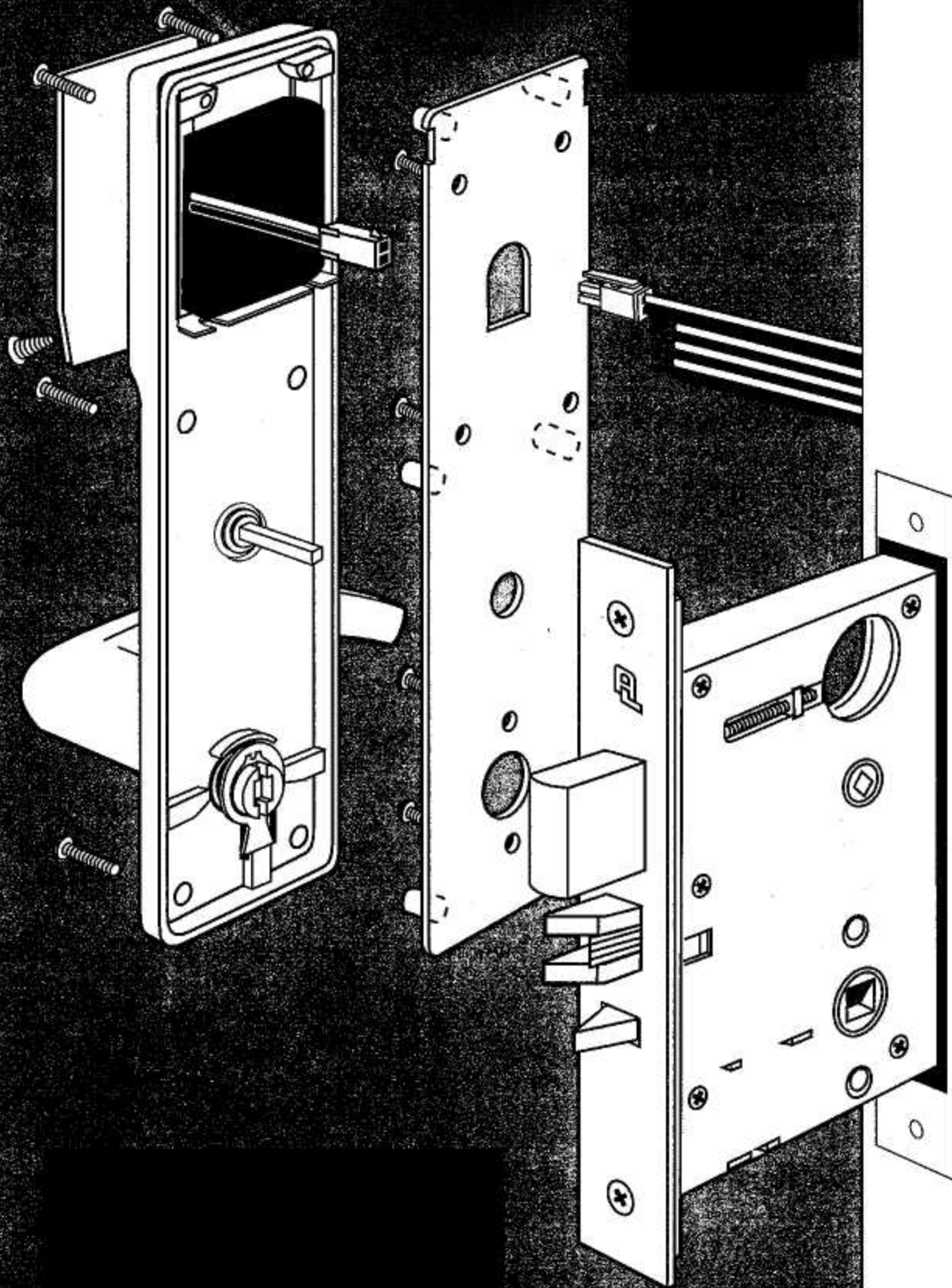
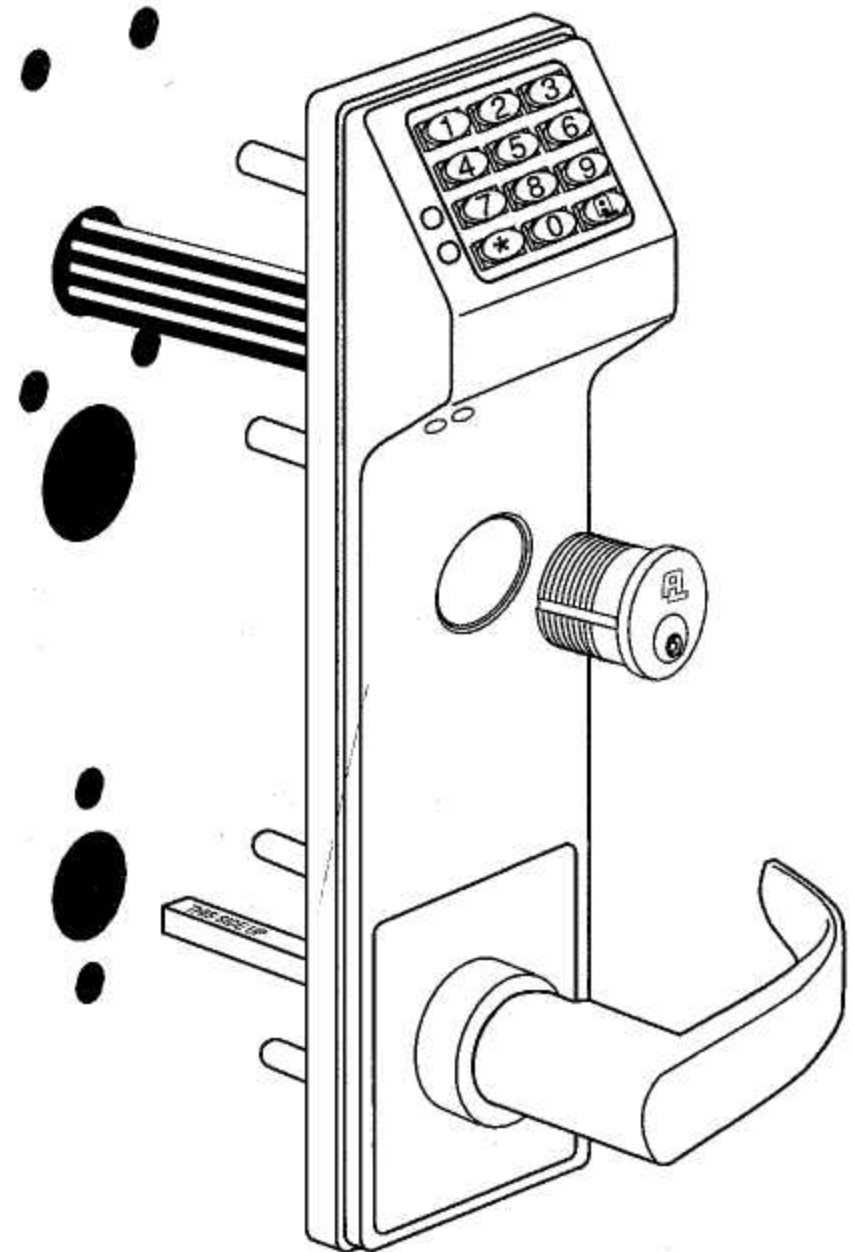


# T3 DL3500DB (DeadBolt)

## The Keyless, Electronic Mortise Lockset **INSTALLATION INSTRUCTIONS**



# A



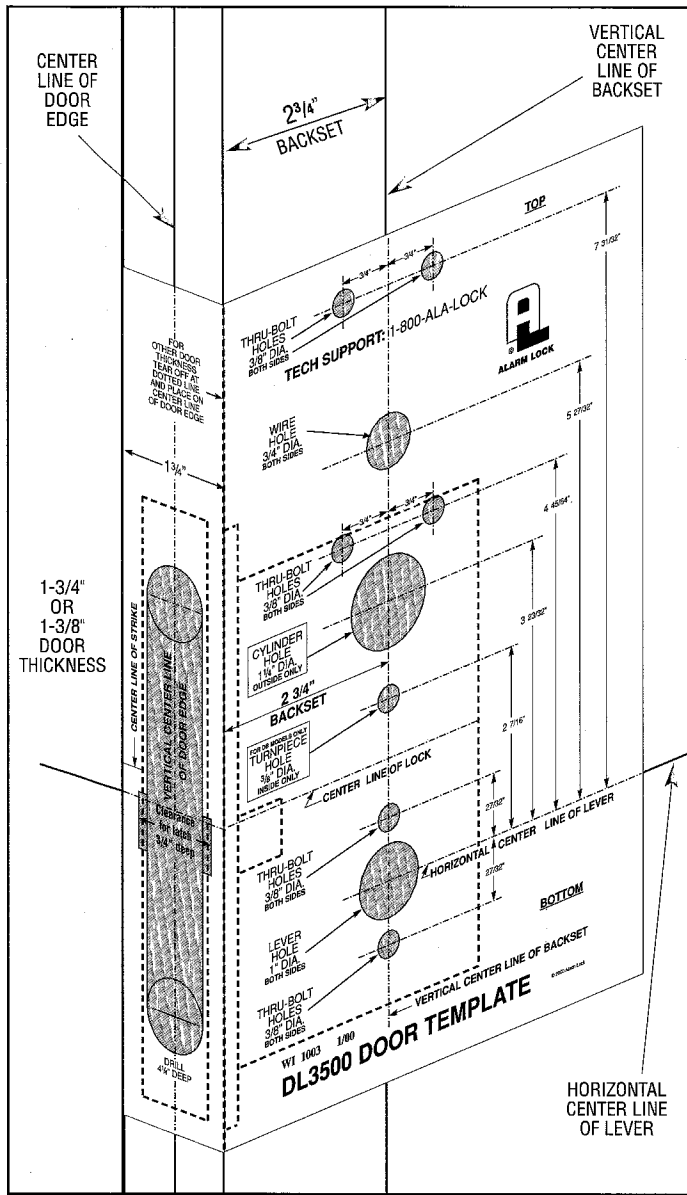
**ALARM LOCK SYSTEMS, INC.**  
A division of the NAPCO Security Group  
345 Bayview Avenue, Amityville, NY 11701  
(631) 789-4871 1-800-252-5625  
Fax: (631) 789-3383

© 2000, Alarm Lock TRILOGY is a registered trademark of Alarm Lock.

**TECH SUPPORT: 1-800-ALA-LOCK**

Part No. WI 1004 1/00

**PREPARING DOOR FOR INSTALLATION**

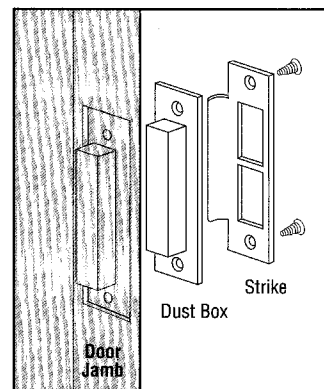


- 1 DOOR PREPARATION:**
- Mark Horizontal Center Line of Lever (at recommended height) on both sides of door. Mark Vertical Center Line of Door edge. Mark Vertical Center Line of Backset (2-3/4") on both sides of door.
  - Tape template in position on door, lining up with horizontal and vertical lines.
  - Mark all hole centers on each side of door as per template.
  - Mortise for lock and lock front in center of door edge as per template.
  - Drill all holes as required. It is recommended that all through holes be drilled from each side to avoid splintering.

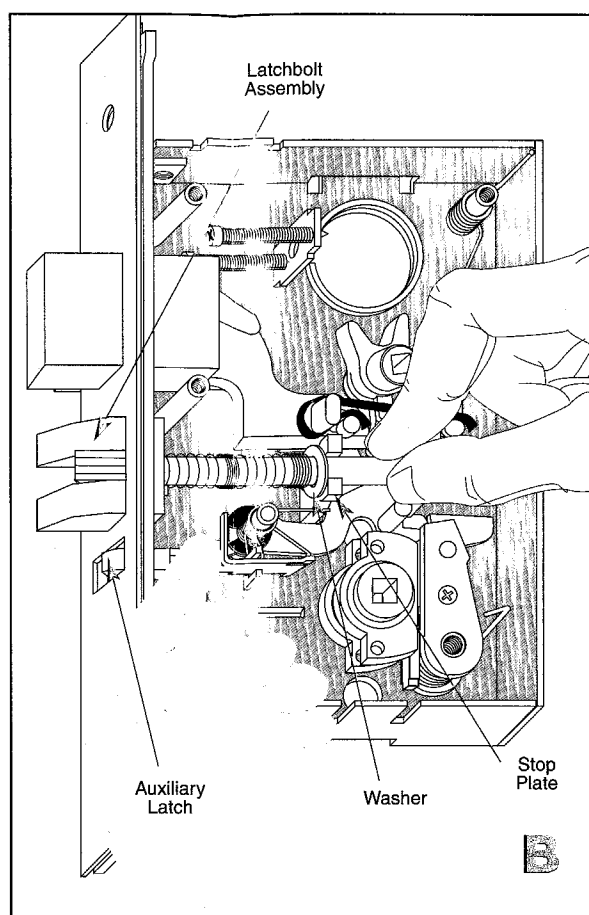
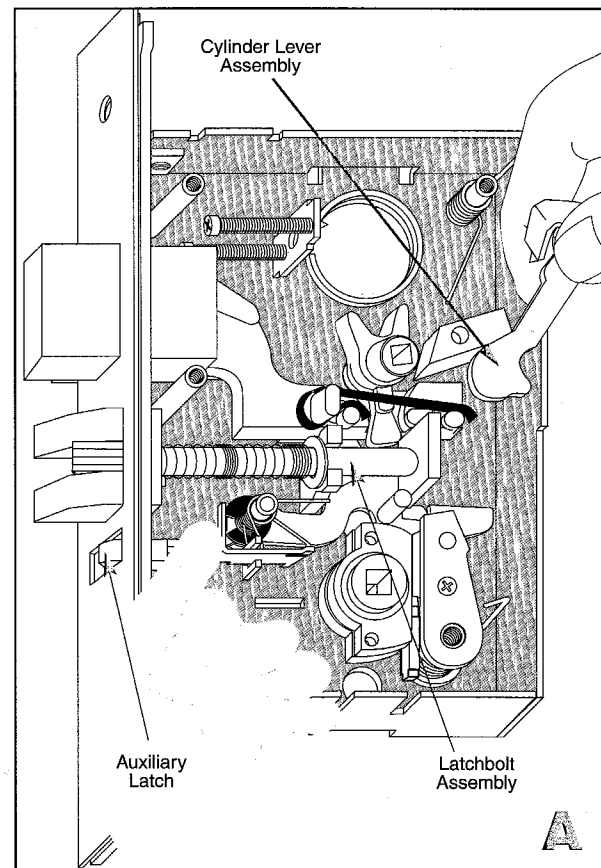
**METAL DOORS** require horizontal and vertical lock case support provided by door manufacturer.

**2 STRIKE INSTALLATION:**

- Position strike on door jamb and trace. Strike center line should be 3/8" above lock's center line.
- Mortise into door jamb deep enough for dust box.
- If dust box is not used, mortise deep enough to allow latchbolt and dead bolt to fully extend.

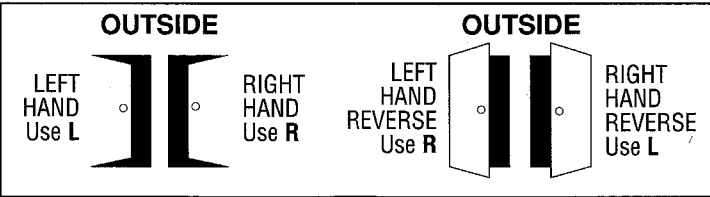


**IF REVERSE HANDING IS REQUIRED:**

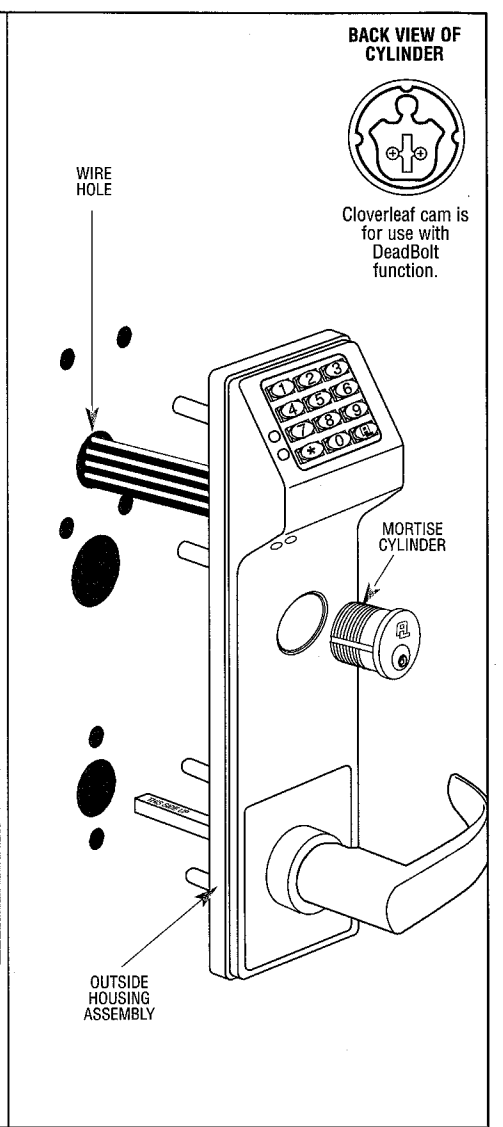
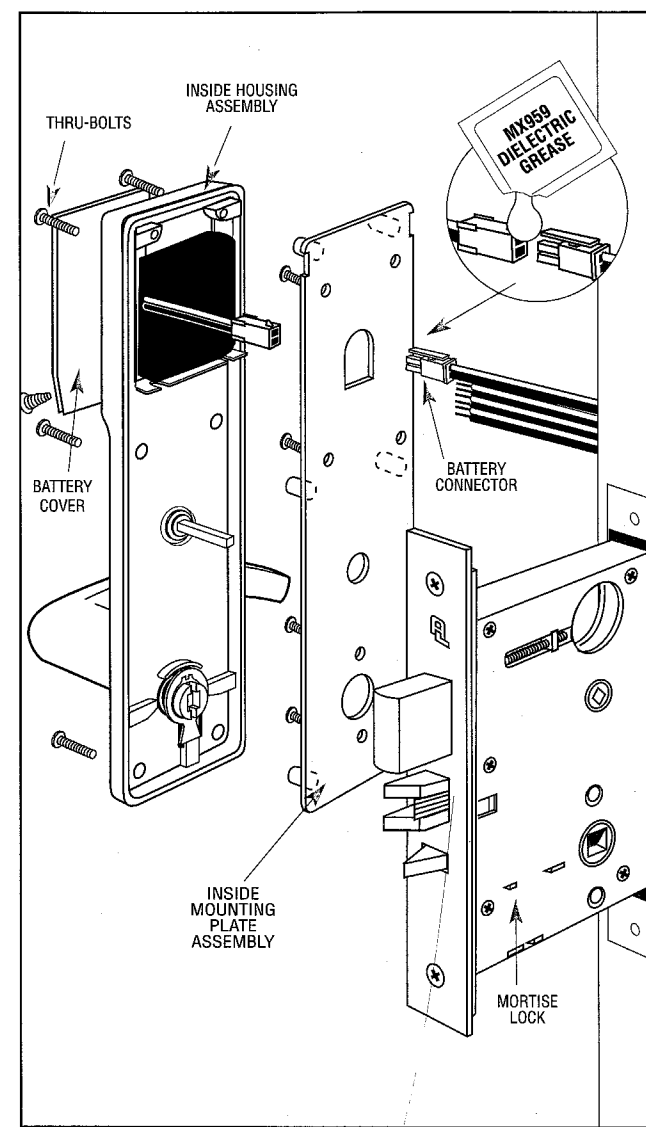


- 3 IF REVERSE HANDING IS REQUIRED:**
- Lift out Cylinder Lever Assembly. Pull back Auxiliary latch and hold.
  - Lift up Latchbolt and remove, rotate and replace (Compress latchbolt spring with washer which should be in front of Stop Plate). Replace Cylinder Lever Assembly. Replace cover and fasten with 5 screws.

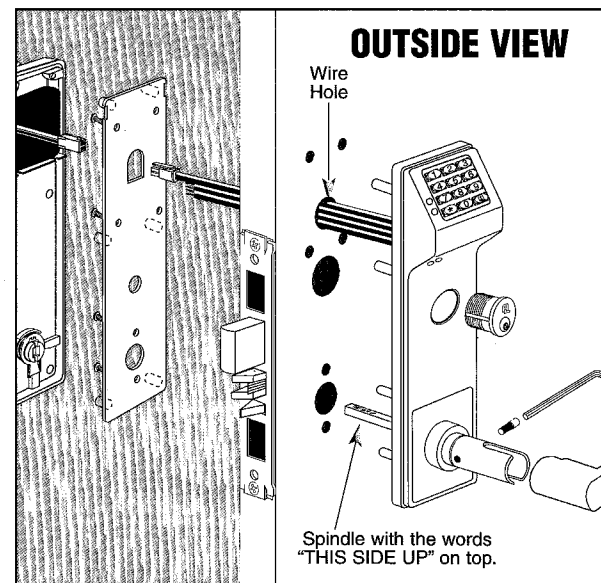
**WHEN CHANGING HANDING PROPER STRIKE IS REQUIRED**



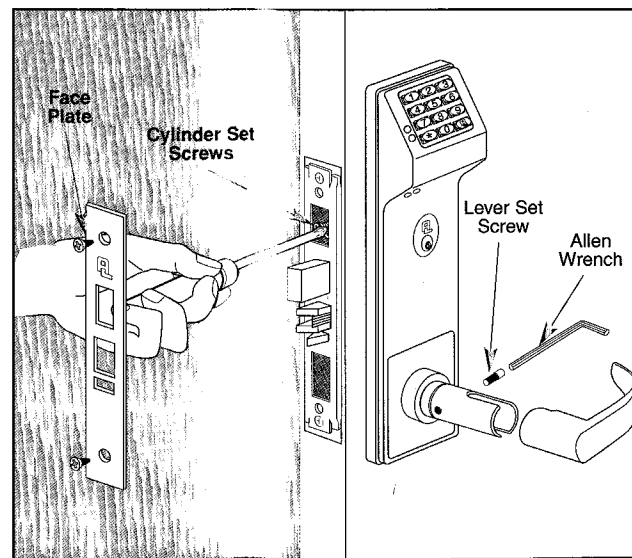
**REFERENCE: EXPLODED VIEW**



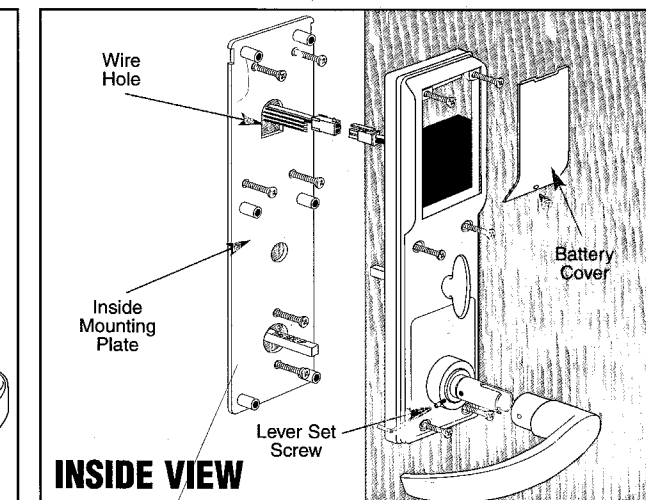
**PREPARING LOCK FOR INSTALLATION:**



- 4 INSTALLING LOCK AND OUTSIDE TRIM ASSEMBLY**
- Insert lock into cavity and fasten with 2 screws.
  - Push all wires through Wire Hole in door and place Outside Housing Assembly on door and through lock.
  - Spindle position must be with words "THIS SIDE UP" on top.

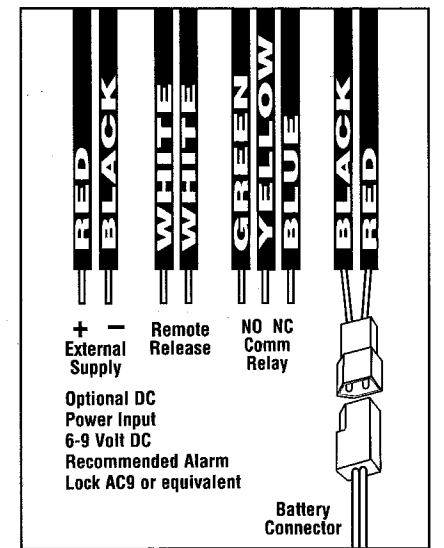


- 5 INSTALLING CYLINDER AND LEVER**
- Thread Cylinder through Outside Assembly and tighten up as far as possible. Make sure keyway is at bottom of cylinder.
  - Tighten the Cylinder Set Screw nearest the cylinder.
  - Position and fasten faceplate with 2 screws.
  - Slide lever on spindle and fasten with Lever Set Screw.

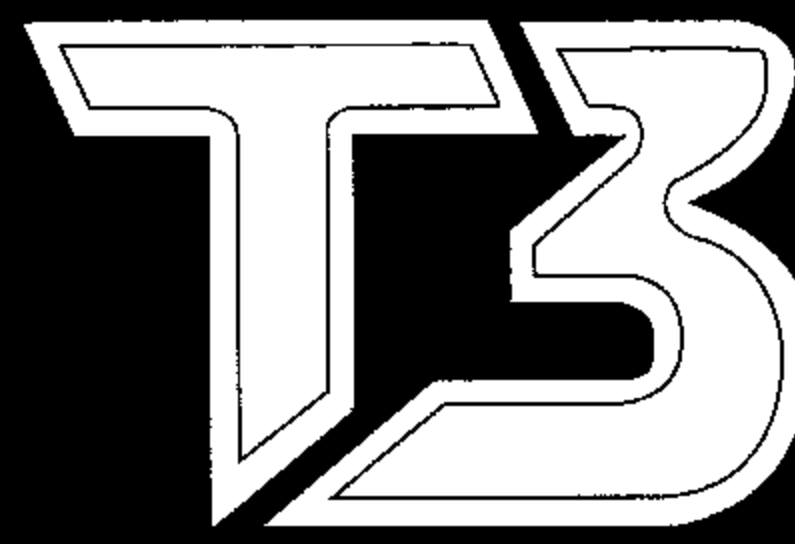


- 6 INSTALL INSIDE ASSEMBLY**
- Pull all wires through wire hole and Inside Mounting Plate.
  - Position and fasten Inside Mounting Plate with 6 screws. Do not pinch or cut wires.
  - Position Inside Housing Assembly on door and fasten with 6 screws.
  - Align and plug together Battery Connector. Seal with Dielectric Grease included. Fold wires and slide battery case into Inside Housing assembly.
  - Position and fasten Battery Cover with 1 screw.
  - Slide lever on spindle and fasten with Lever Set Screw.

**REFERENCE: WIRING**

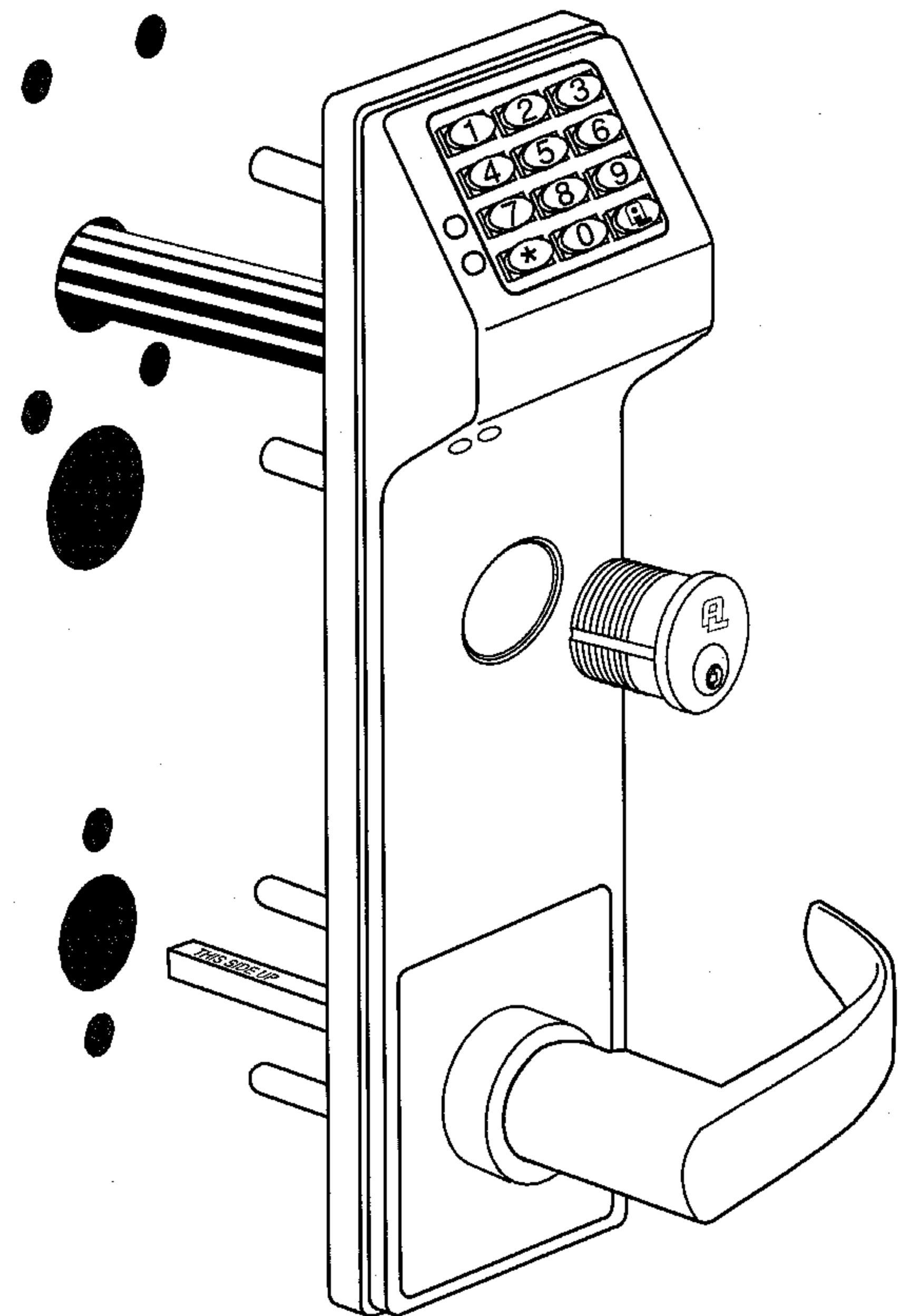
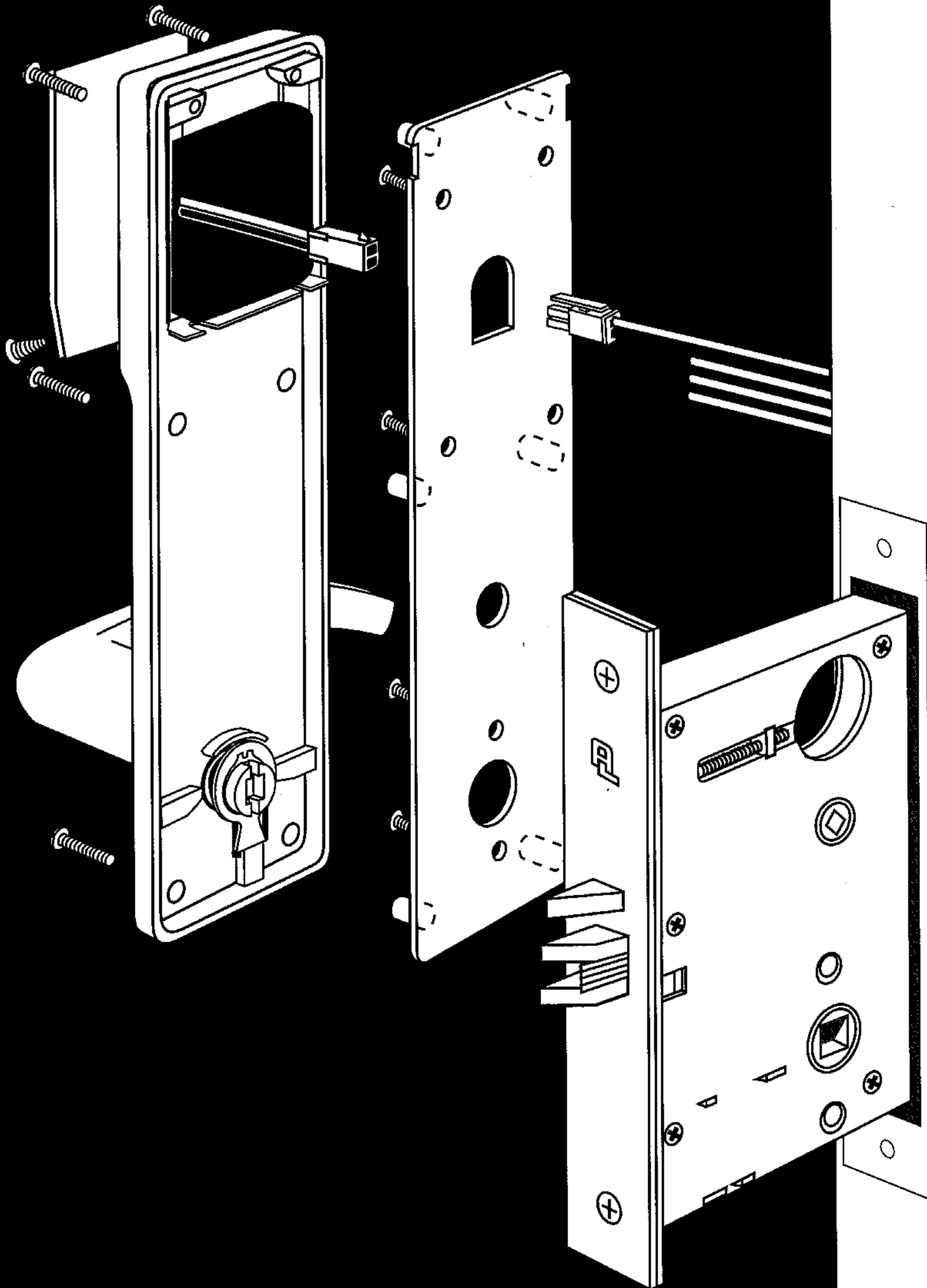


**BEFORE CLOSING DOOR TEST LOCK FOR PROPER OPERATION**



**DL3500CR  
(ClassRoom)**

**The Keyless, Electronic  
Mortise Lockset  
INSTALLATION  
INSTRUCTIONS**



**ALARM LOCK SYSTEMS, INC.**

A division of the **NAPCO Security Group**  
345 Bayview Avenue, Amityville, NY 11701  
(631) 789-4871 1-800-252-5625  
Fax: (631) 789-3383

© 2000, Alarm Lock TRILOGY is a registered trademark of Alarm Lock.

**TECH SUPPORT: 1-800-ALA-LOCK**

Part No. WI 1004 1/00

