

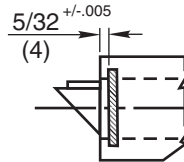
Notes:

1. Backset is measured from centerline of bevel which is centerpoint of door thickness.
2. Door prep with 2-3/4" (69.9) backset meets ANSI standards A115.2 for steel doors and A115.W2 for wood doors.
3. Dimensions given in inches and (mm).
4. 1-1/4" strike lip suits frame for 1-3/4" thick door. Lip will vary for other door thicknesses.

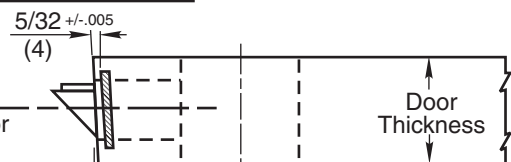
Template Cross Reference

Description	Template
SF114 & SFR114 Full Lip Strike	T30683
SC Series Curved Lip Box Strike	T30476

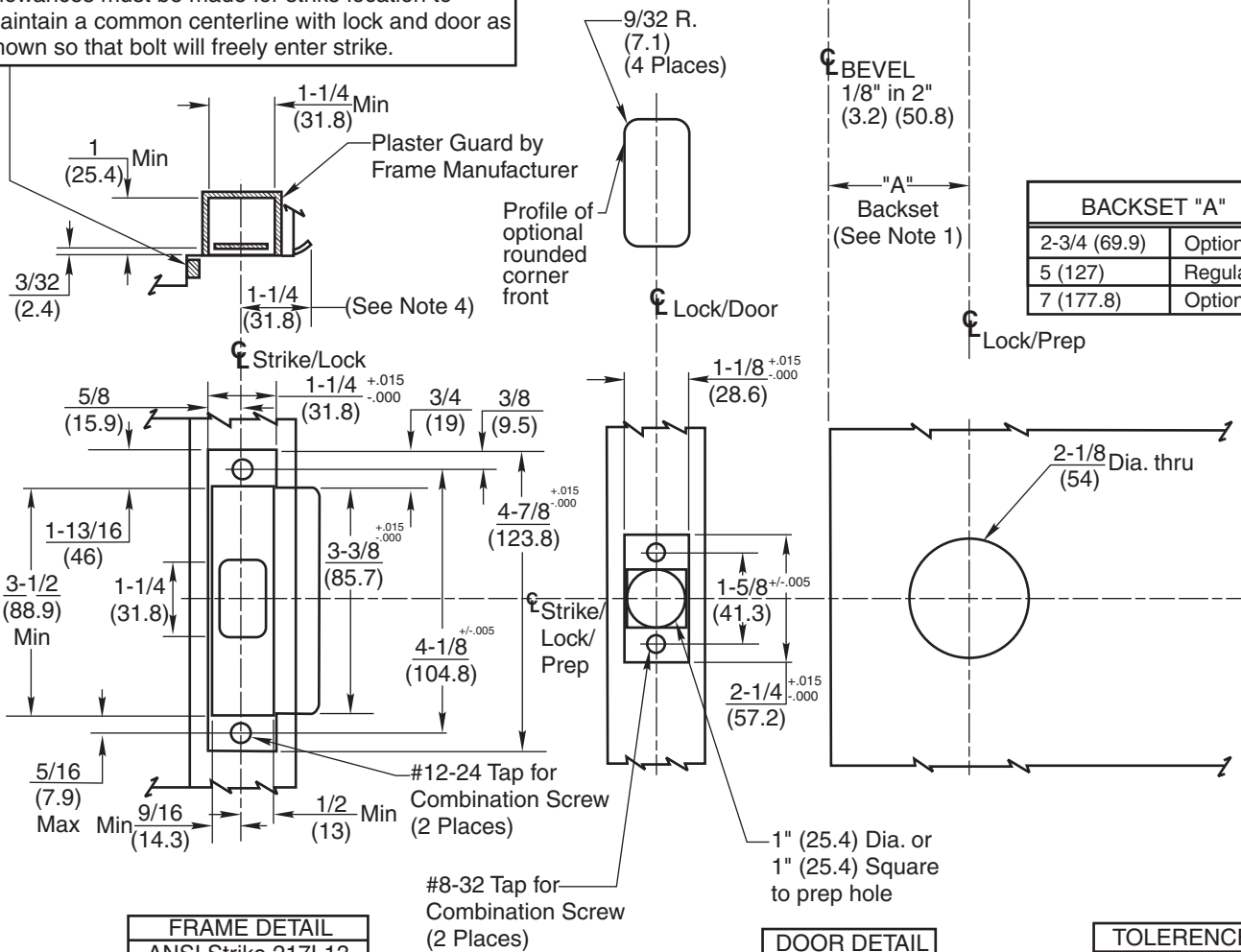
SQUARE EDGE



BEVELED EDGE



CAUTION: DOOR AND FRAME MANUFACTURERS
When door gasketing or silencers are used, proper allowances must be made for strike location to maintain a common centerline with lock and door as shown so that bolt will freely enter strike.



BACKSET "A"	
2-3/4 (69.9)	Optional
5 (127)	Regular
7 (177.8)	Optional

FRAME DETAIL
ANSI Strike 217L13
(Regularly Furnished)
Box 120F76 (Optional)

DOOR DETAIL

TOLERANCES	
INCHES	(mm)
.005	(.127)
.015	(.381)

RESPONSIBILITY

DOOR AND FRAME MANUFACTURERS ARE RESPONSIBLE FOR PROVIDING ADEQUATE CONSTRUCTION OR REINFORCEMENTS FOR PROPER INSTALLATION OF HARDWARE SHOWN. ALL ARCHITECTURAL BUILDERS HARDWARE MUST BE INSTALLED ON PROPERLY REINFORCED DOORS AND FRAMES, REGARDLESS OF TYPE, MATERIAL, OR METHOD OF CONSTRUCTION.

**HP3000 Series
Tubular Lock With
Push/Pull Paddle Trim**

All Functions



ASSA ABLOY

www.corbinruswin.com

SUPERSEDES	DO NOT SCALE DRAWING
TEMPLATE NUMBER	DATE
T31188	01-11