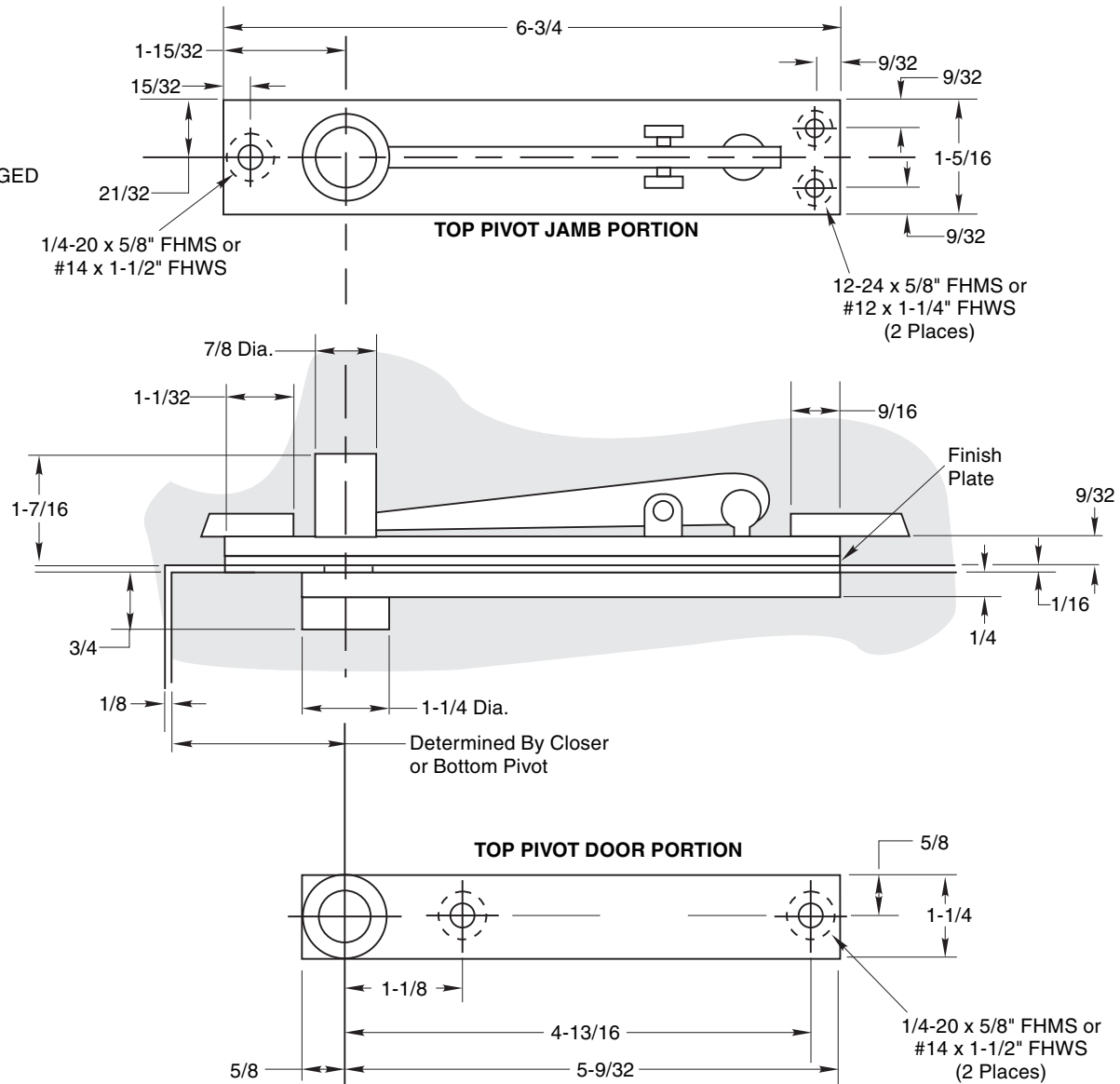


- Notes:**
1. Do not scale drawing.
 2. All dimensions are in inches.
Conversion to metric =
inch x 25.4.

**340 TOP PIVOT
PIVOT SHOWN ENGAGED**



**Top Pivot
340
Center Hung**

RIXSON®
ASSA ABLOY

www.rixson.com

TEMPLATE NUMBER

TP40210

DATE

12-08