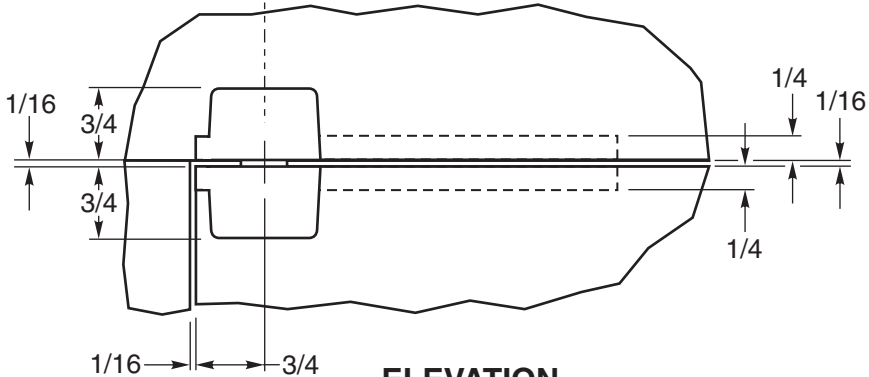


Bevel Heel
Edge of Door
1/8 in 2"

1/4-20 x 5/8" FHMS or
#14 x 1-1/2" FHWS
(4 Places)



ELEVATION

Notes:

1. Do not scale drawing.
2. Right hand shown.
3. All dimensions are in inches.
Conversion to metric = inch x 25.4.
4. Template drawing for reference only.

**Top Pivots 180 & H180
3/4" Offset**

RIXSON®
ASSA ABLOY
www.rixson.com

TEMPLATE NUMBER	DATE
TP40000	08-15