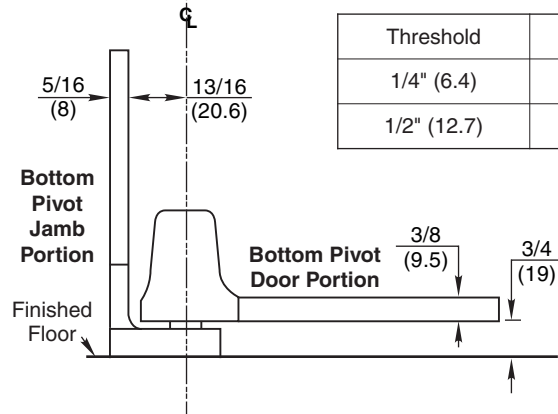
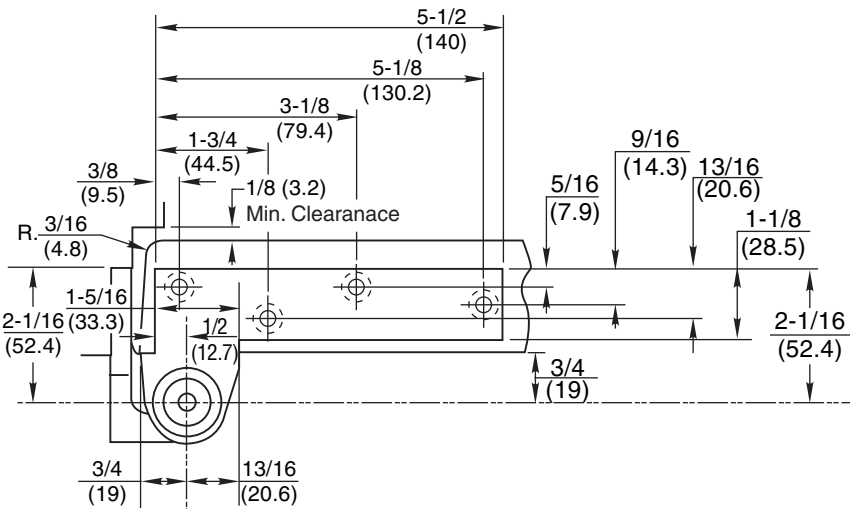
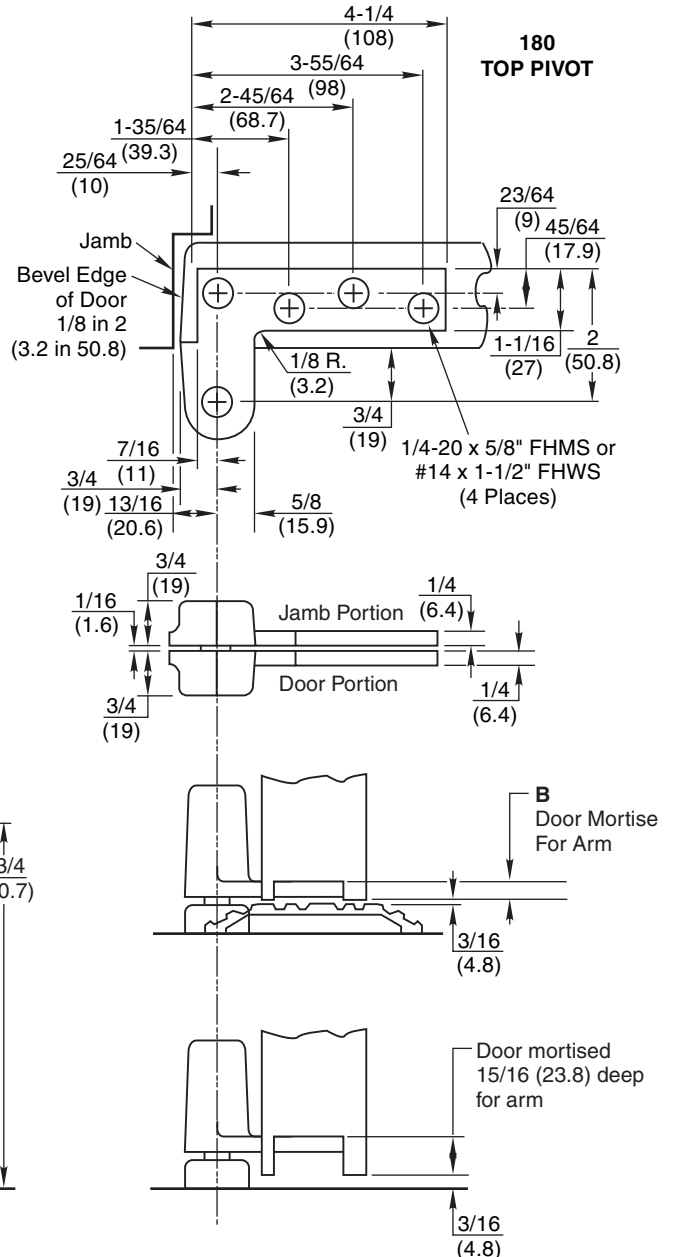
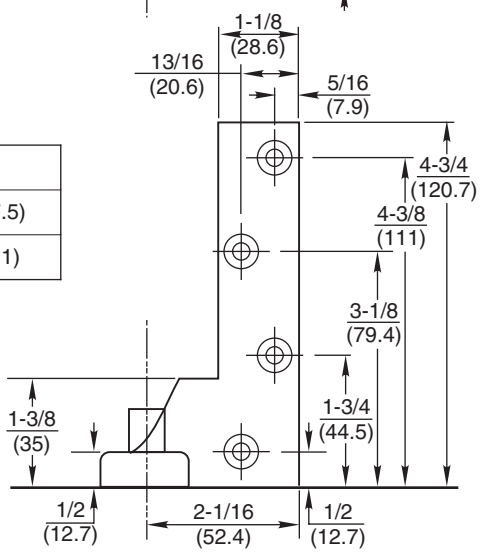
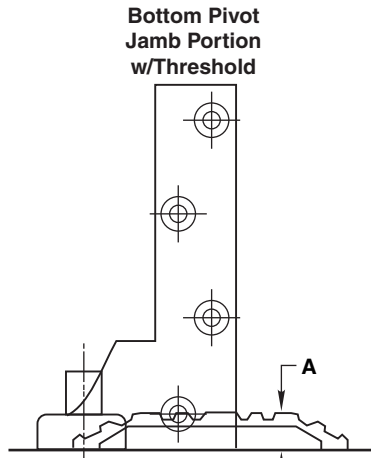


Notes:

1. Do not scale drawing.
2. Right hand shown.
3. Suitable reinforcing by others.
4. Pivots drilled for 1/4-20 x 5/8 FHMS or #14 x 1-1/2 FHWS.
5. When jamb portion is installed on top of threshold allow for threshold height when preparing frame and door mortise depth.
6. All dimensions are in inches (mm).



Threshold	Dim "A"	Dim "B"
1/4" (6.4)	1/4" (6.4)	11/16" (17.5)
1/2" (12.7)	1/2" (12.7)	7/16" (11.1)



**195 Pivot Set
3/4" Offset**

RIXSON®
ASSA ABLOY

www.rixson.com

TEMPLATE NUMBER	REVISION	DATE
PS30500	3	04-17