



44487056

VON DUPRIN®

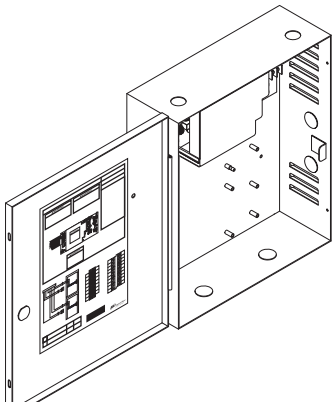
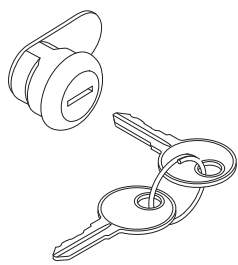
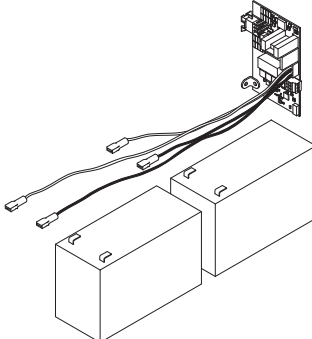
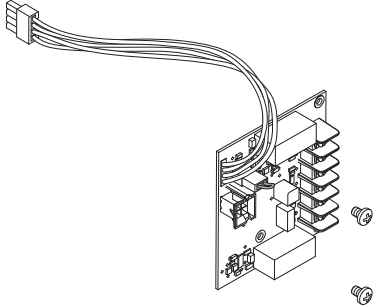
PS914 Power Supply

Installation Instructions

▲ DANGER:

To avoid risk of electric shock, turn off AC power before installing or servicing PS914 power supply.

These instructions cover the following parts:

 <p>PS914 Power Supply Pages 1-3</p>	 <p>900-KL Keylock (optional) Page 2</p>	 <p>900-BB Battery Backup (optional) Page 3</p>	 <p>900-2RS (optional) - Page 4 (2 Zone EL Control - Individual/Sequential)</p>
--	---	---	--

PS914 Power Supply Specifications:

Input	120/240 VAC, 1.4 A, 50/60Hz, High Voltage Class 1 Wiring Required	
Output	4 Amp DC @ 12/24 VDC May be used to power Von Duprin & Falcon EL device at 24VDC, 16A, 300ms	
Enclosure	14" H x 12" W x 4" D (8 knockouts, 1/2" or 3/4")	
Temperature Range	32°-120° F (0°- 49° C)	
Fuse	F1, T6.3A 250 VAC	▲ CAUTION: For protection against risk of fire, replace fuse with same type and rating
Compliance	UL 294, ULC-S318, RoHS, & FCC Part 15, Class 2 Output	
Compatible Boards (Optional, 2 boards maximum)	900-2RS 900-2Q 900-4R 900-4RL 900-8F 900-8P	INST. INSTRUCTIONS - 44487056 INST. INSTRUCTIONS - 44487098 INST. INSTRUCTIONS - 44487106 INST. INSTRUCTIONS - 44487080 INST. INSTRUCTIONS - 44487106 INST. INSTRUCTIONS - 44487106
Fire Alarm Input Board (Optional)	900-FA (Requires one option board above)	INST. INSTRUCTIONS - 44487072
Battery Backup Board (Optional)	900-BB	INST. INSTRUCTIONS - 44487064
AC Monitor Output	Form C Contacts, 30 VDC, 1 Amp, Resistive Load	

900-2RS Specifications:

Inputs I1, I2	Dry contacts required (Closed = Active) Connect control contacts between SC (Signal Common) and any input
Outputs O1, O2	<ul style="list-style-type: none"> • 12/24VDC, 3A (wet) when AC powered • 9.6-13.2VDC or 19.2-26.4VDC when battery powered • May be used with PS914 to power EL device at 24VDC, 16A, 300ms • Maximum load cannot exceed power supply ratings or 3A for outputs combined
Board Input Power	Board requires 0.1A max. of power supply output current to operate
Temperature Range	32°-120° F (0°- 49° C)
Compliance	UL 294, ULC-S318, RoHS, & FCC Part 15
Fire Alarm Input	Accepts 900-FA Fire Alarm Board (Optional)

MOUNTING NOTES

The PS914 must be installed in accordance with the article 760 of the National Electrical Code or NFPA 72, Canadian Electrical Code, or any other applicable codes.

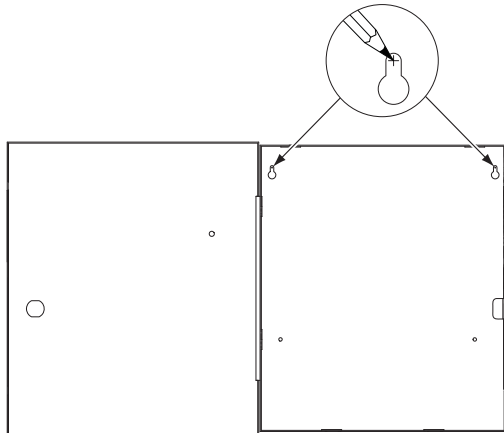
Install the PS914 indoors within the protected premises.

Check national and local codes for additional installation requirements.

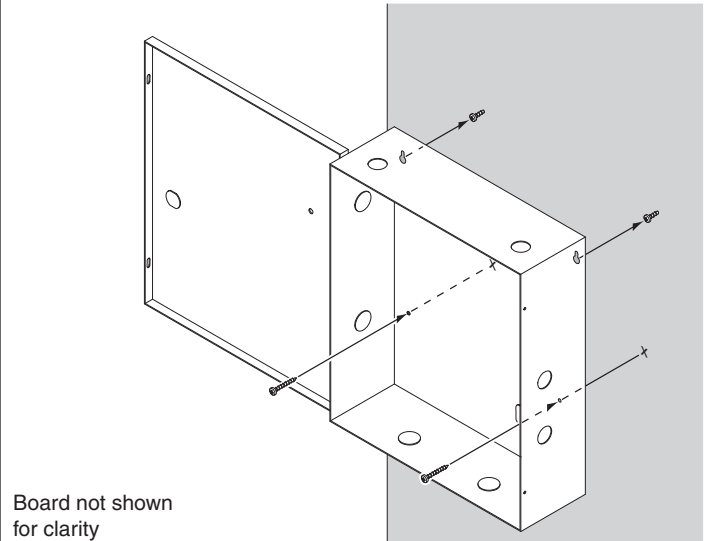
Enclosure must be firmly mounted to a solid surface using hardware suitable for the surface.

1 MOUNT POWER SUPPLY

1a Mark 2 Top Holes



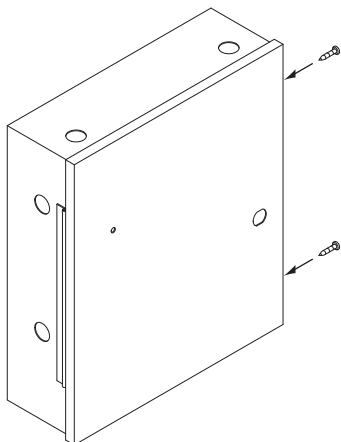
1b Secure Enclosure with 4 Screws



2 SECURE ENCLOSURE DOOR

If No Keylock

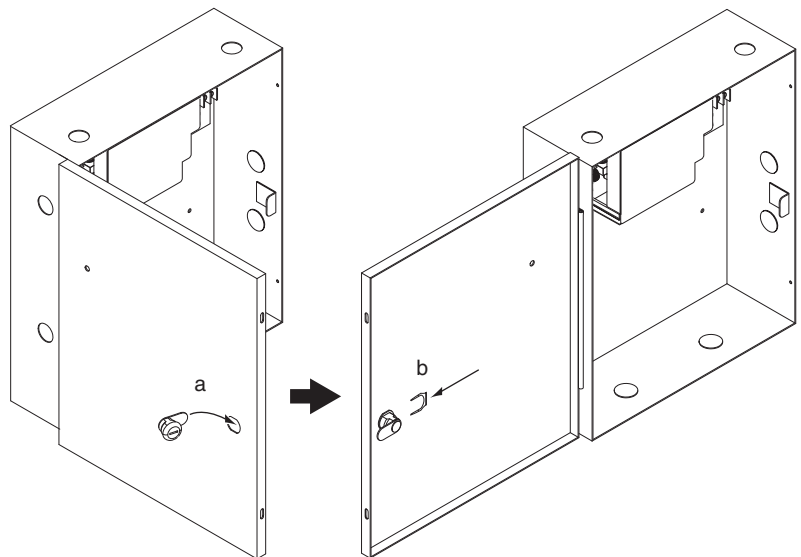
Enclosure will be secured with 2 screws as shown (done as last step)



OR

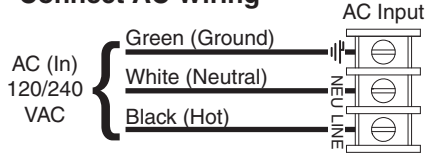
If Keylock

Remove knockout and insert key cylinder, then slide in clip



3 PS914 SETUP AND TESTING

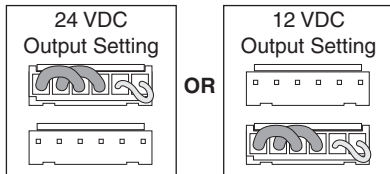
3a Connect AC Wiring



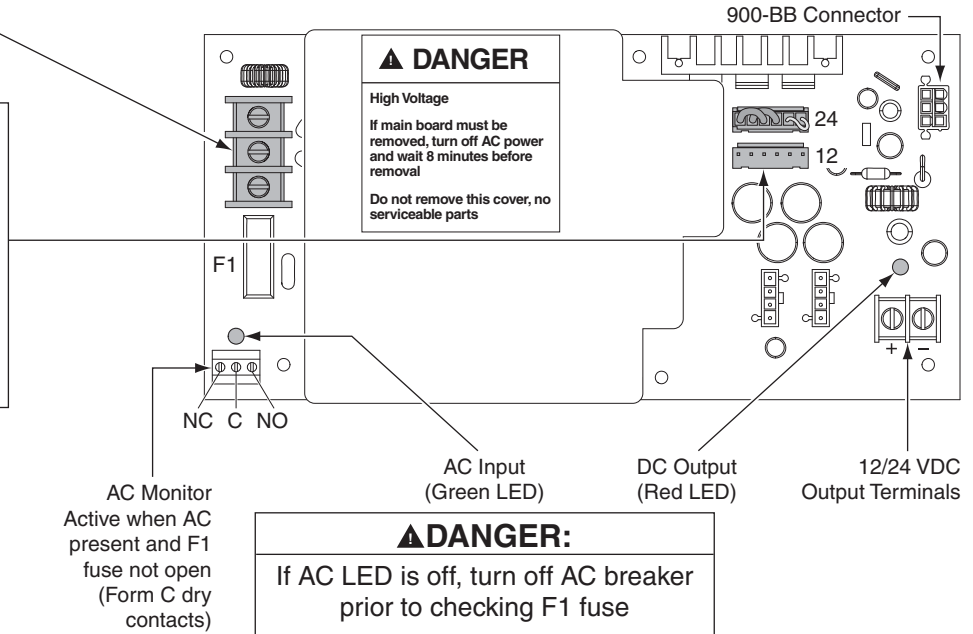
⚠ DANGER:

Ensure AC Breaker is Turned Off

3b Use Jumper to Select 24 VDC or 12 VDC Output



Note: Minimum of 1/4" separation between AC and DC wiring as well as power limited and non-power limited.



⚠ DANGER:
If AC LED is off, turn off AC breaker prior to checking F1 fuse

4 INSTALL 900-BB BATTERY BACKUP (IF INCLUDED)

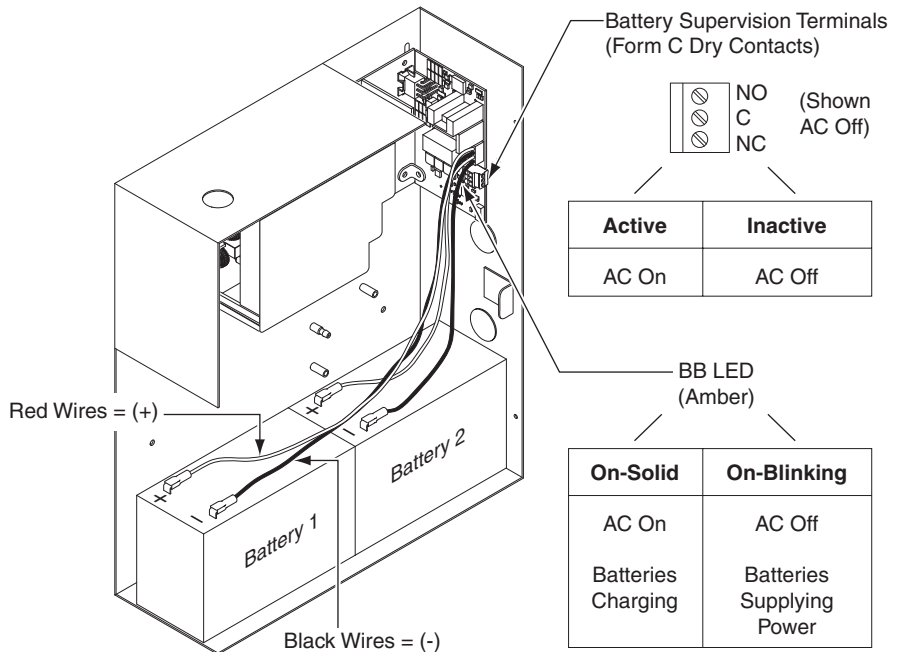
Refer to 900-BB instructions for additional info

4a Place Batteries in Box with Terminals to the Left

4b Attach Wires from Battery Board

Red wires = (+)
Black wires = (-)

Note: Allow 24 hours for batteries to fully charge

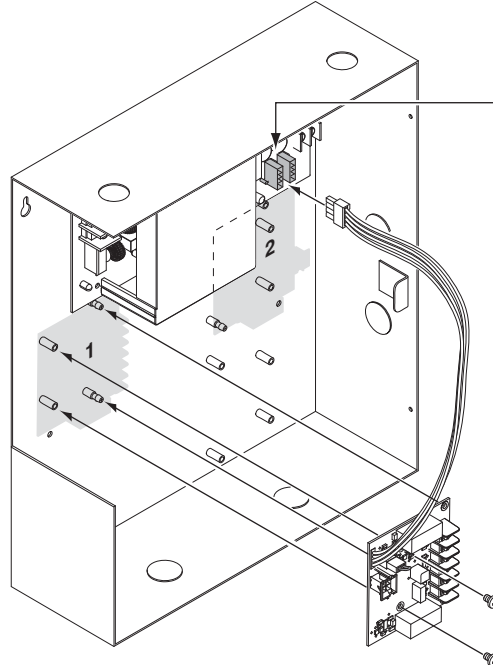
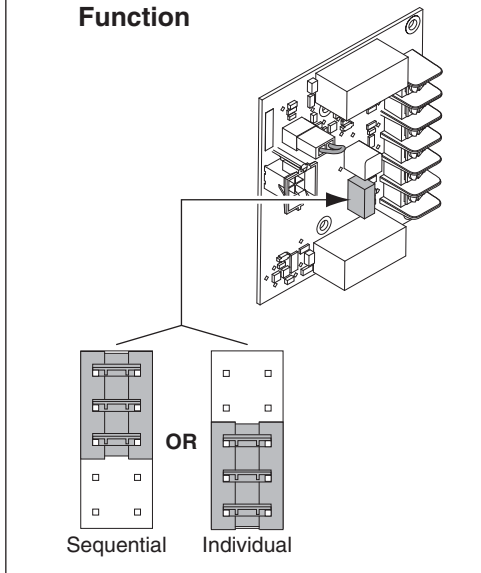


5 TURN ON AC BREAKER TO TEST POWER SUPPLY

- Verify AC LED is On = GREEN
- Verify DC LED is On = RED
- Verify BB LED (if applicable) is On = AMBER

6 INSTALL 900-2RS OPTION BOARD (IF REQUIRED)

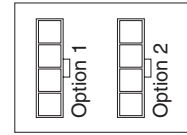
6a Use Jumper to Select Function



⚠ DANGER:

Ensure AC breaker is turned off when installing or wiring option boards

6b Plug 2RS Cable into any Available Option Connector



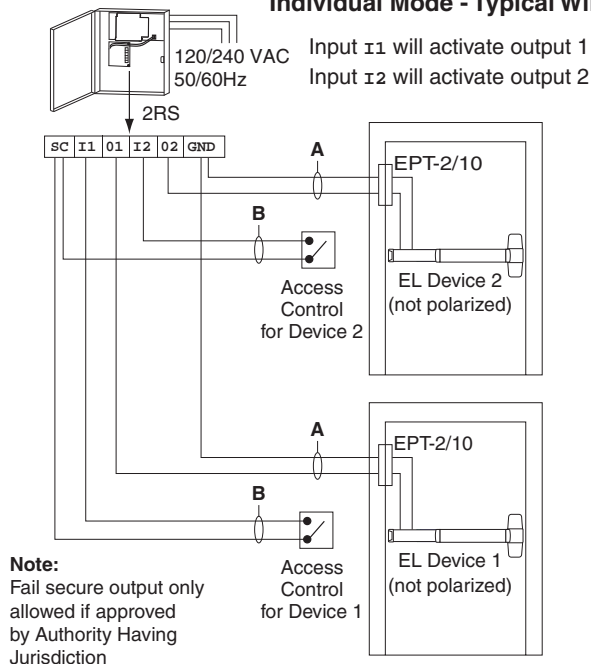
6c Secure Board with Screws

Note: 24VDC output setting required when EL device connected

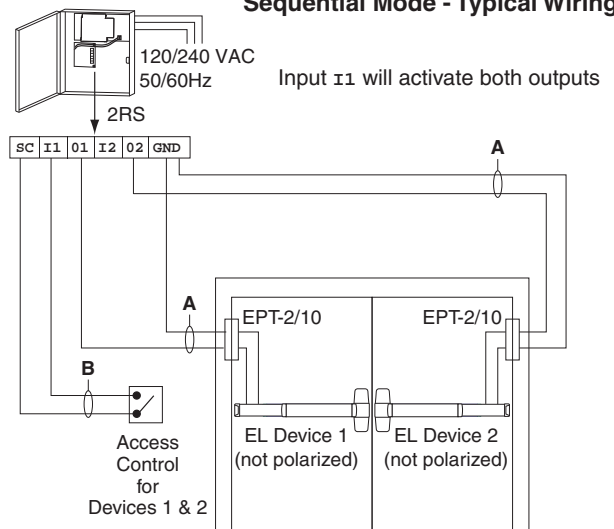
If installing board in location 2, rotate board 180°

7 CONNECT WIRING TO 900-2RS OPTION BOARD

Individual Mode - Typical Wiring



Sequential Mode - Typical Wiring



Wire table (suggested maximum)

Wire Ga (AWG)	Device Current (Amps DC)	Output* (max. ft)	Input (max. ft)
14	0.3	850	
	0.5	500	
18	0.3	340	1200
	0.5	200	
12	Using EL device with EPT or Door Loop (PS914 required)	200	
14		100	
12	Using EL device with Electric Hinge/Pivot (PS914 required)	150	
14		75	

*Wiring allows for 10% voltage drop at device current at 12 or 24VDC
Max. ft = one way distance between power supply and device

8 IF PS-914 HAS OTHER OPTION BOARDS, SEE THEIR INSTRUCTIONS

NOTE: WHEN INSTALLATION IS COMPLETE, SECURE ENCLOSURE DOOR WITH SCREWS OR KEYLOCK