

Installation Instructions

HP3000 Series Tubular Lock

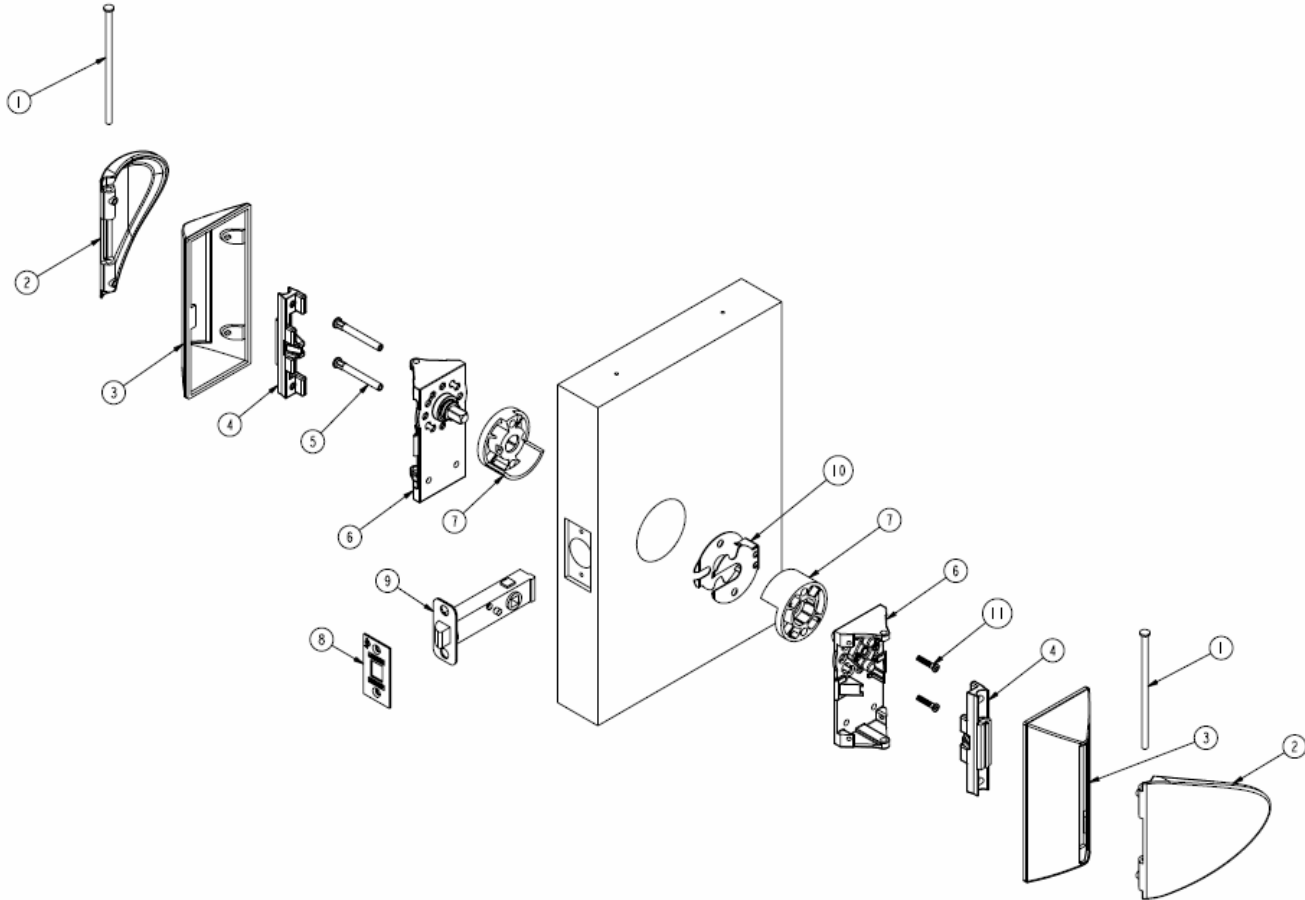
With Push/Pull Paddle Trim

FM 333 2/11

In U.S.:
Corbin Russwin, Inc.
225 Episcopal Road
Berlin, CT 06037 USA
www.corbinrusswin.com

In Canada:
ASSA ABLOY Door Security Solutions Canada
160 Four Valley Drive
Vaughan, Ontario, Canada L4K 4T9
www.assaabloy.ca

Technical Product Support: Phone: 888-607-5703

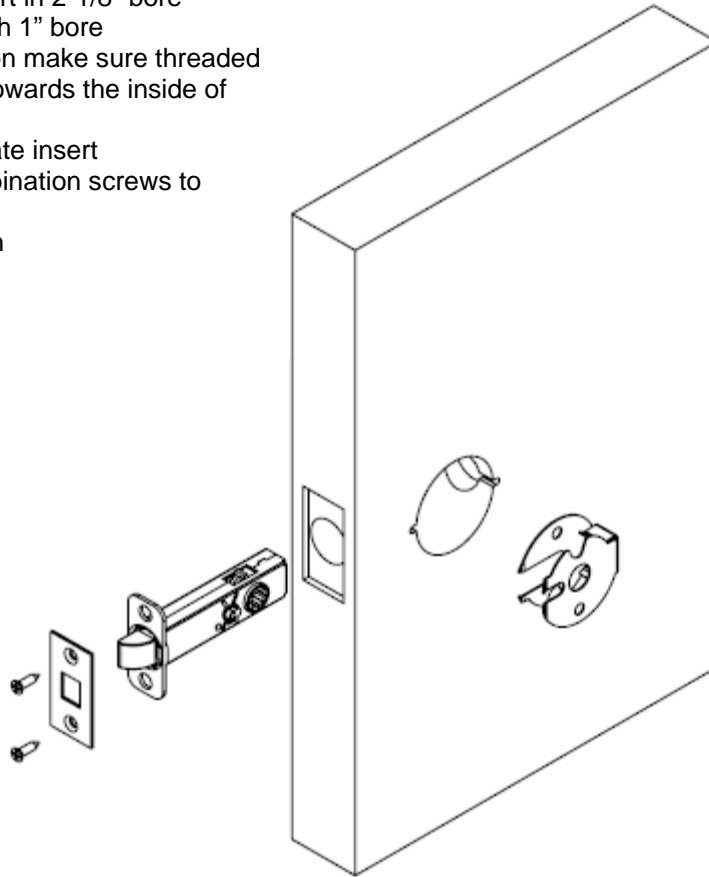


Item No.	Description	Qty.
1	Axle, Paddle Trim	2
2	Paddle (Plain)	2
3	Cover, Passage Paddle Trim	2
4	Actuator, Paddle Insert Cam	2
5	Post, Mounting	2
6	Chassis, Paddle Trim	2
7	Spacer, Alignment	2
8	Front, Latch	1
9	Latch	1
10	Plate, Insert	1
11	Screw, Chassis Mounting, #8-32x5/8 SEMS	2
**	Screw, Cover Mounting, #8-32x5/16 OH	4
**	Screw, Actuator Mtg, #8-32x5/16	4
**	Screw, Alignment, #8-32x1/2 PH (self tap)	4
**	Screw, Alignment, #8-32x9/16 PH	4
** Parts are not shown in diagram above		

Tools Required
#2 Phillips Screwdriver
Drill
7/64 Drill Bit (wood door)
#8-32 Tap (metal door)
#18 (.136) Tap Drill

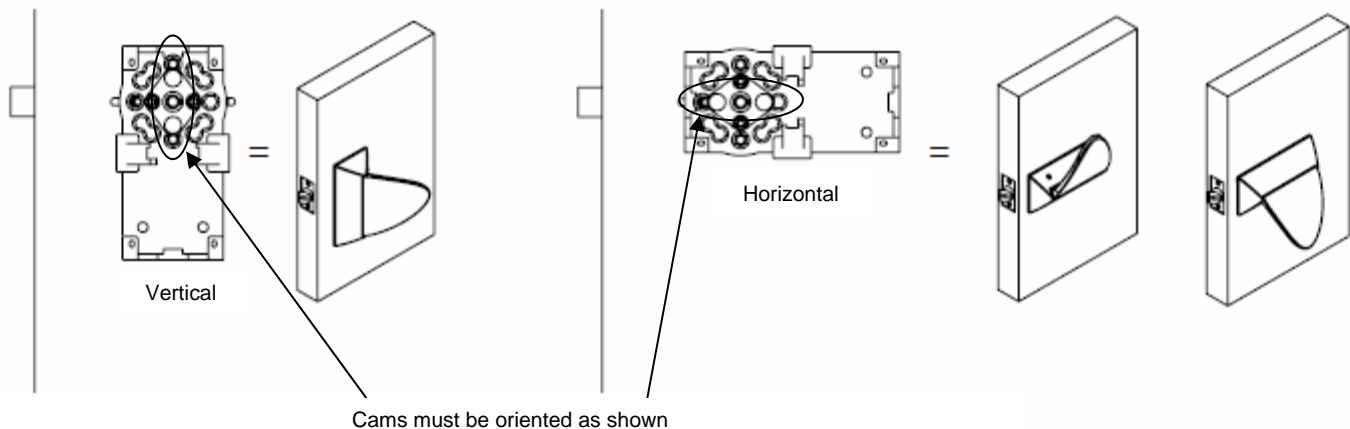
STEP 1: Latch Installation

- Position plate insert in 2-1/8" bore
- Insert latch through 1" bore
- For privacy function make sure threaded piece on latch is towards the inside of the door
- Snap latch into plate insert
- Install (2) #8 combination screws to secure latch
- Do not fully tighten



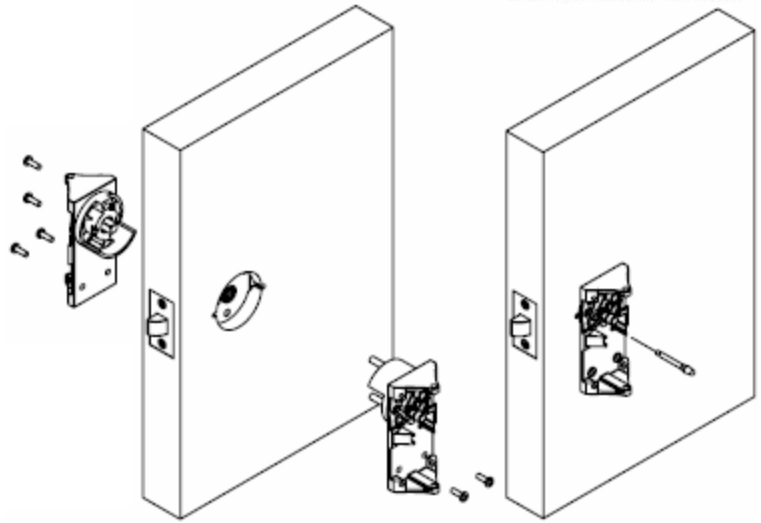
STEP 2: Determine Orientation of Trim

- Remove the chassis which is packed with the paddle and cover
- Passage trim can be mounted vertically or horizontally
- Privacy trim can only be mounted vertically
- Position chassis and verify the spindle engages into the latch hubs
- Cams on chassis must be oriented as shown (vertical orientation for vertical mounting and horizontal orientation for horizontal mounting)



STEP 3: Chassis Installation

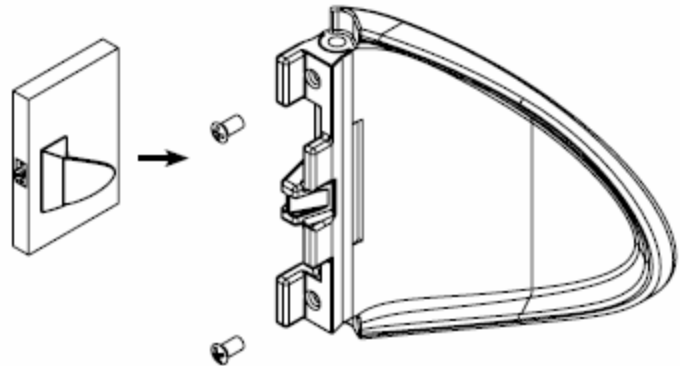
- Install an alignment spacer on to each chassis (one oriented up, one oriented down to match plate insert in bore)
- Insert (2) mounting posts through the chassis on the outside of the door
- Install (2) #8-32x5/8 machine screws with integrated lock washer through the chassis on the inside of the door to secure
- Make sure the chassis' are square to the door and fully tighten screws
- Fully tighten latch screws
- Install surface mounted screws to secure alignment
 - For wood doors: 7/64" pilot hole
 - For metal doors: drill and tap for #8-32 screw
- Check operation by turning cams by hand. If binding occurs loosen chassis mounting screws and retighten
- For privacy function install push button on inside of door



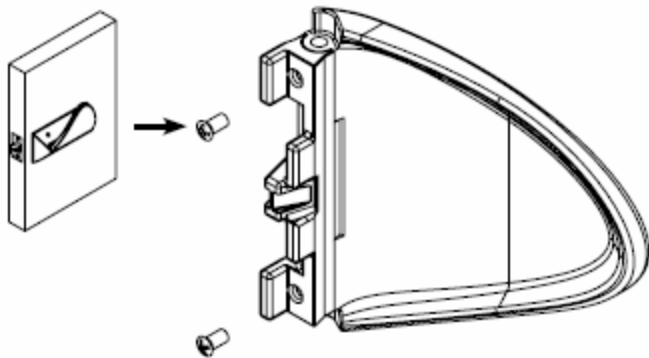
STEP 4: Determine Orientation of Paddle

- The paddle has three potential orientations:
 - VERTICAL
 - HORIZONTAL – UP
 - HORIZONTAL – DOWN
- The insert is attached to the paddle using (2) #8-32 x 5/16" Machine Screws (VC-3 Coated)

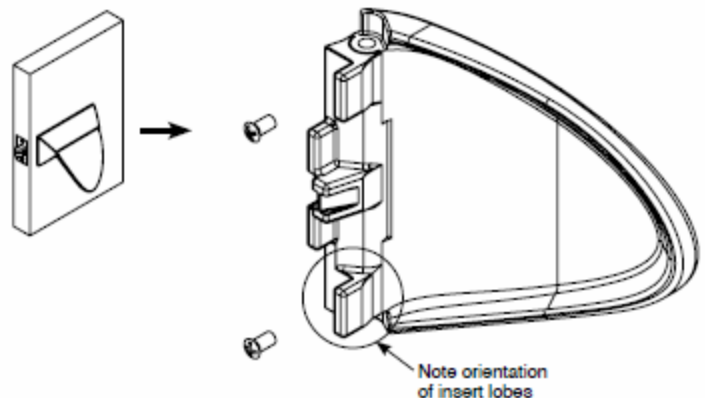
- If trim is mounted VERTICAL and the end of the paddle will point towards the HINGE, attach the insert to the paddle in the orientation shown:



- If trim is mounted HORIZONTAL and the end of the paddle will point UP, attach the insert to the paddle in the orientation shown (same as vertical):

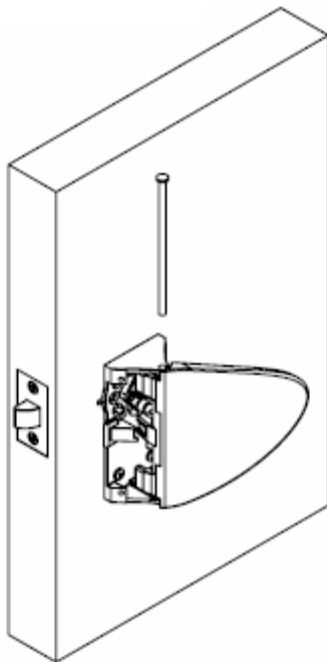


- If trim is mounted HORIZONTAL and the end of the paddle will point DOWN, attach the insert to the paddle in the orientation shown:



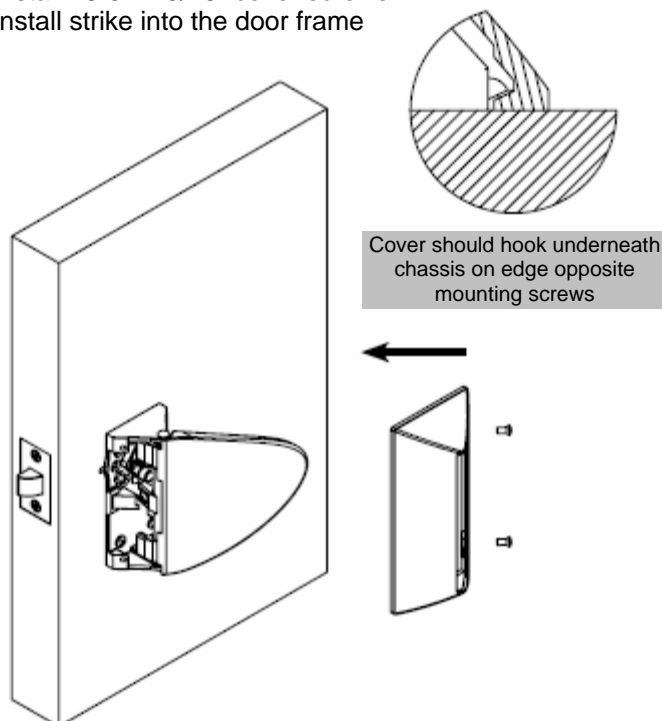
STEP 5: Installation of Paddles

- Attach paddle to the chassis in the desired orientation by inserting the axle through the pivot hole



STEP 6: Installation of Covers

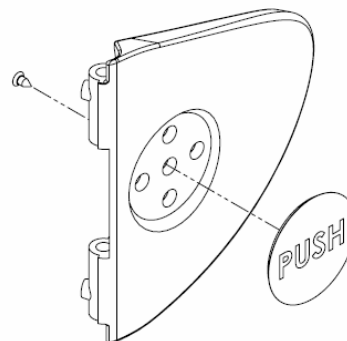
- Slide cover over paddle
- Press cover against door surface
- Slide back until mounting holes align with those in chassis
- Install #8-32 x 5/16" cover screws
- Install strike into the door frame



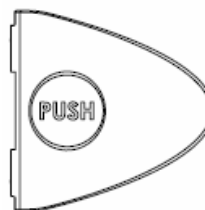
Optional Paddle Marker Installation

Install markers before mounting paddles to door

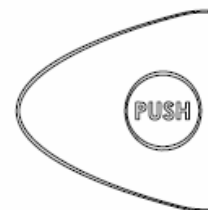
- Secure "PUSH" marker on the push side of the door using screw supplied.
- Secure "PULL" marker on the pull side of the door using screw supplied.



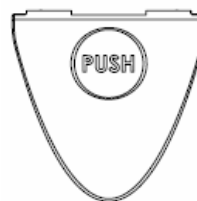
Markers can be installed in any of the four available paddle orientations:



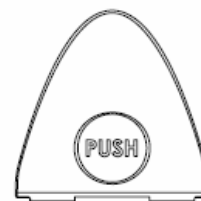
Right



Left



Down



Up